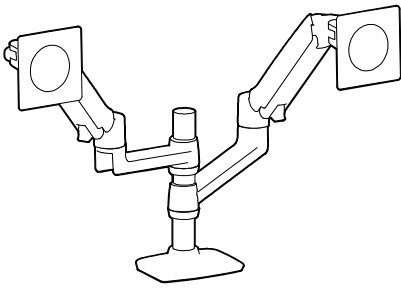
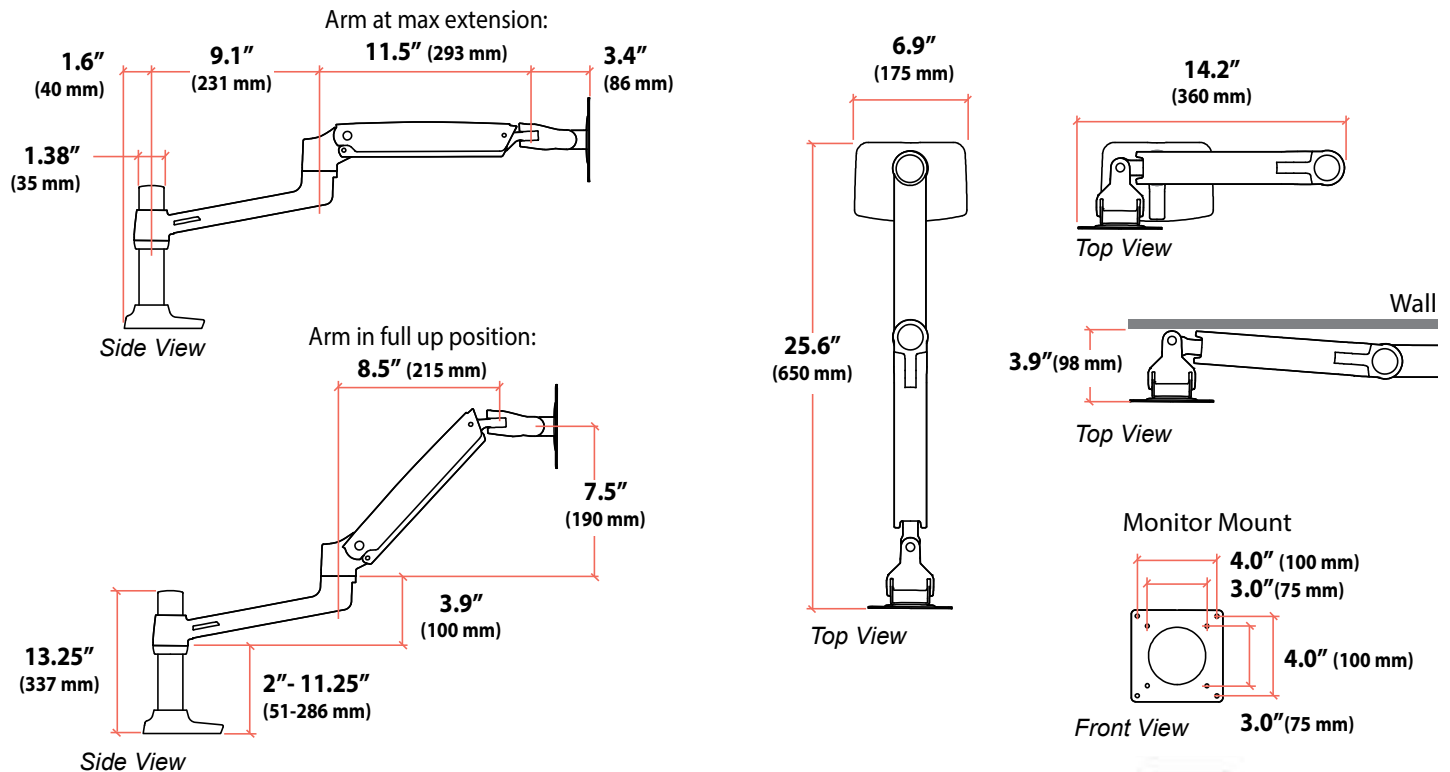


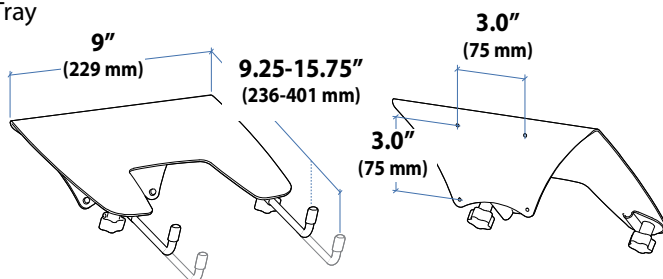
LX Dual Stacking Arm



Dimensions

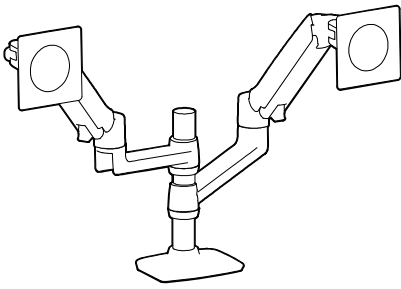


Laptop Tray

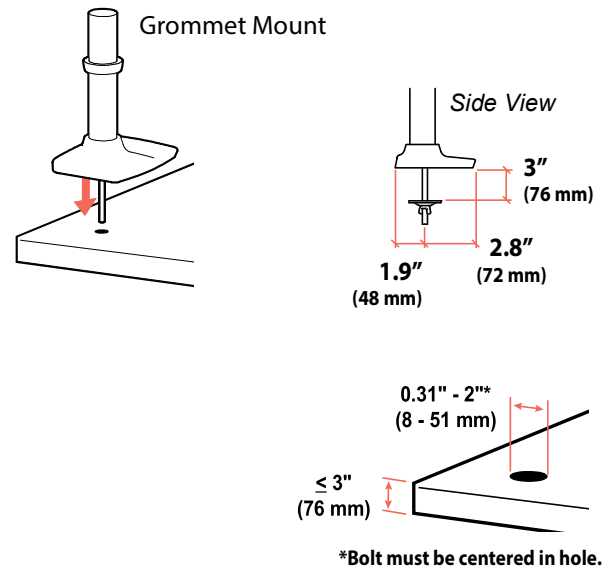
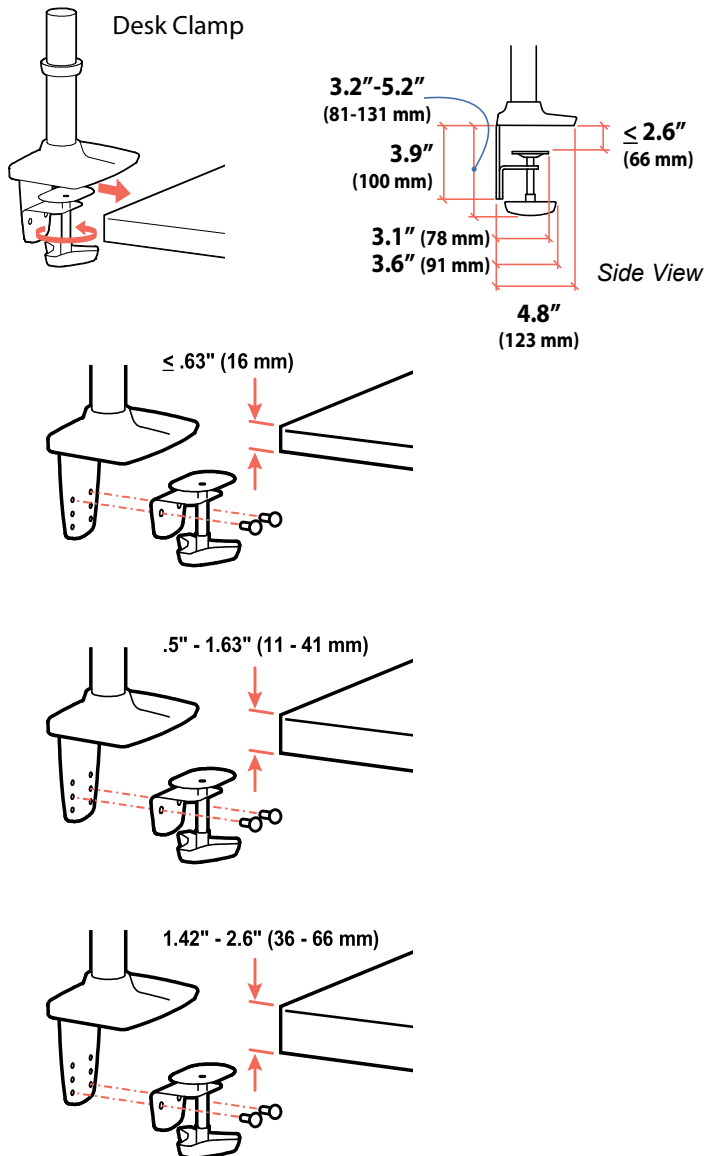


LCD Size
≤ 24"

LX Dual Stacking Arm



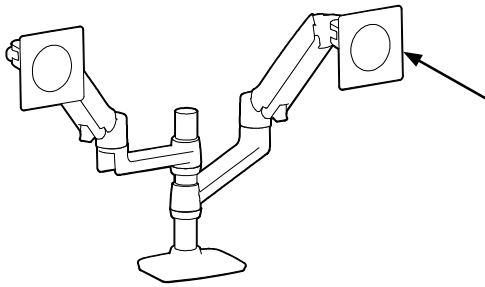
Dimensions



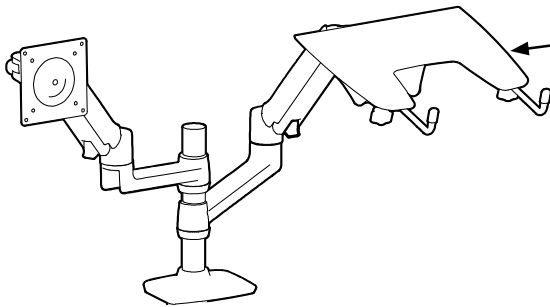
© 2016 Ergotron, Inc. rev. 08/30/2021 DIM-LXDLStack Content is subject to change without notification

Americas Sales and Corporate Headquarter	EMEA Sales	APAC Sales	Worldwide OEM Sales
St. Paul, MN USA (800) 888-8458 +1-651-681-7600 www.ergotron.com insidesales@ergotron.com	Amersfoort, The Netherlands +31 33 45 45 600 www.ergotron.com info.eu@ergotron.com	Sydney, Australia www.ergotron.com apacustomerservice@ergotron.com	www.ergotron.com info.oem@ergotron.com

LX Dual Stacking Arm



Weight Capacity per Monitor
 7 - 20 lbs (3.2 - 9.1 kg)
 Monitor depth greater than 2.5" (64 mm) may diminish capacity.
 Call Ergotron for more information.



Weight Capacity for Laptop Tray
 2.5 - 12 lbs (1.1 - 5.4 kg)

Range of Motion

