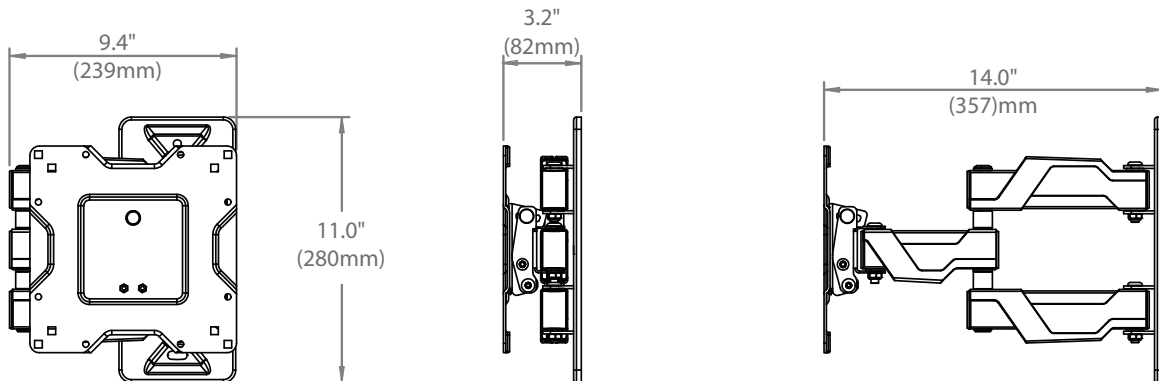


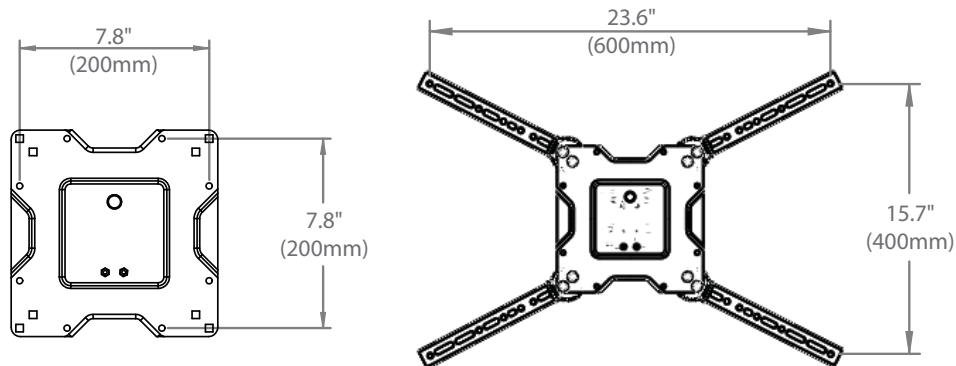
## Neo-Flex Cantilever, VHD



FRONT VIEW

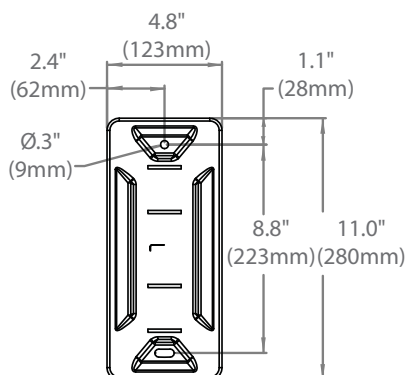
MOUNTING PROFILE

MAXIMUM EXTENSION



PANEL ATTACHMENT -  
VESA COMPATIBILITY

PANEL ATTACHMENT -  
VESA COMPATIBILITY  
WITH ADAPTERS



WALL MOUNTING

© 2017 Ergotron, Inc. rev. 10/07/2019 DIM-NFCANTILEVER-VHD Content is subject to change without notification

**Americas Sales and  
Corporate Headquarter**

St. Paul, MN USA  
(800) 888-8458  
+1-651-681-7600  
www.ergotron.com  
sales@ergotron.com

**EMEA Sales**

Amersfoort, The Netherlands  
+31 33 45 45 600  
www.ergotron.com  
info.eu@ergotron.com

**APAC Sales**

Tokyo, Japan  
www.ergotron.com  
apaccustomerservice@ergotron.com

**Worldwide OEM Sales**

www.ergotron.com  
info.oem@ergotron.com