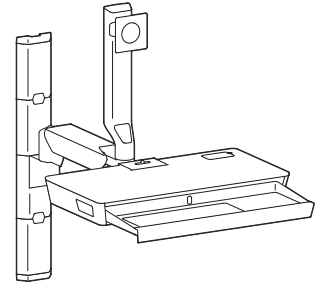
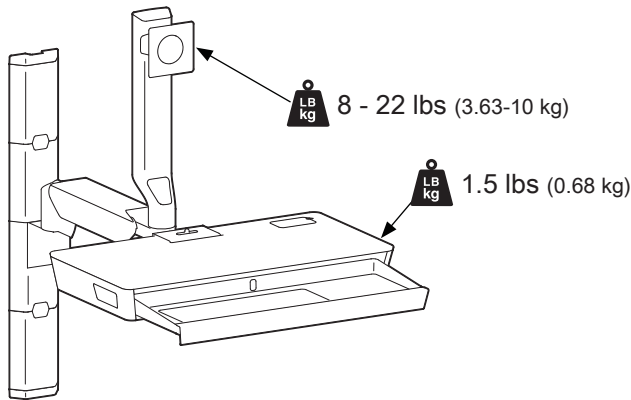
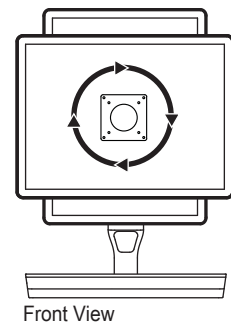
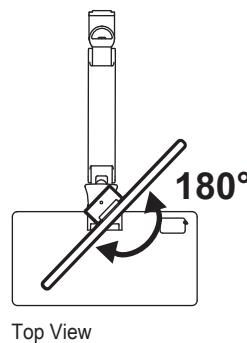
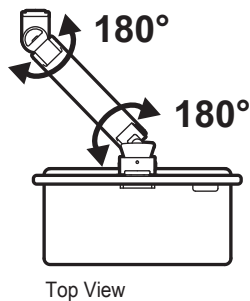
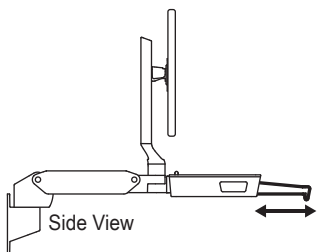
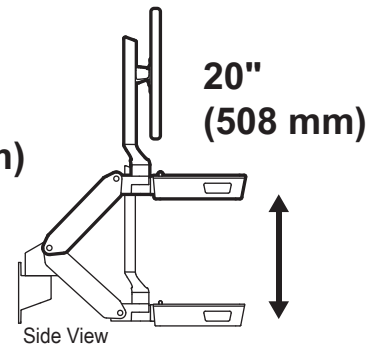
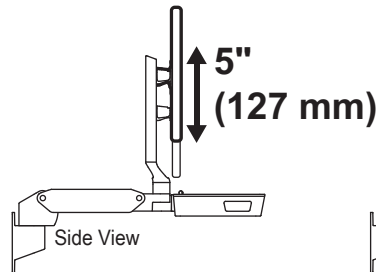
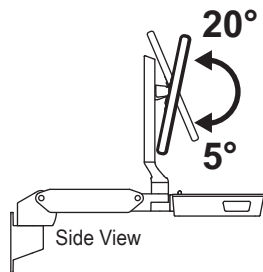
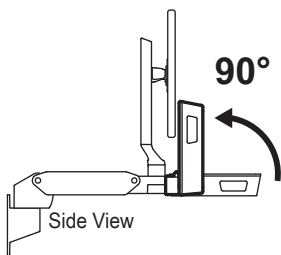


## CareFit™ Combo System with worksurface

### WEIGHT CAPACITY



### RANGE OF MOTION



Download additional resources at [ergotron.com](http://ergotron.com)

USA & Canada Sales & Corporate Headquarters: St. Paul, MN USA / 800.888.8458 / +1.651.681.7600 / [insidesales@ergotron.com](mailto:insidesales@ergotron.com)

EMEA Sales: Amersfoort, The Netherlands / +31.33.45.45.600 / [info.eu@ergotron.com](mailto:info.eu@ergotron.com)

APAC Sales: Sydney, Australia / [apaccustomerservice@ergotron.com](mailto:apaccustomerservice@ergotron.com)

LATAM Sales: Mexico / +1.800.681.1820 / [info.latam@ergotron.com](mailto:info.latam@ergotron.com)

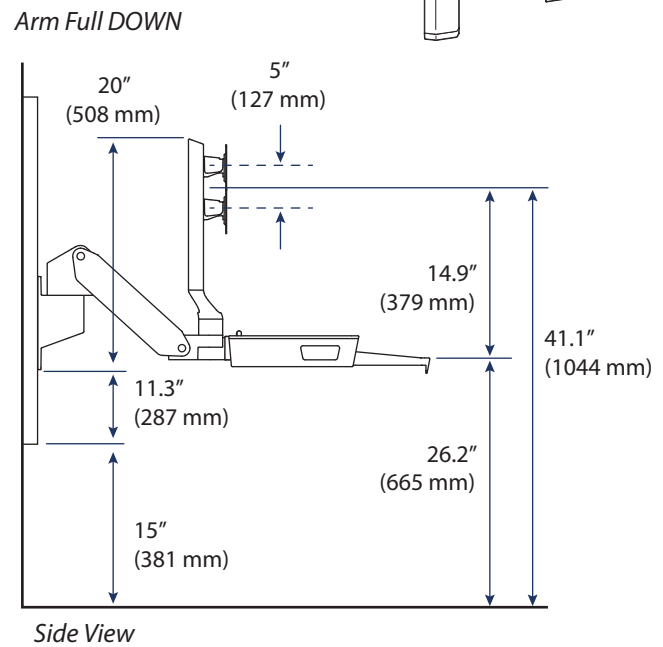
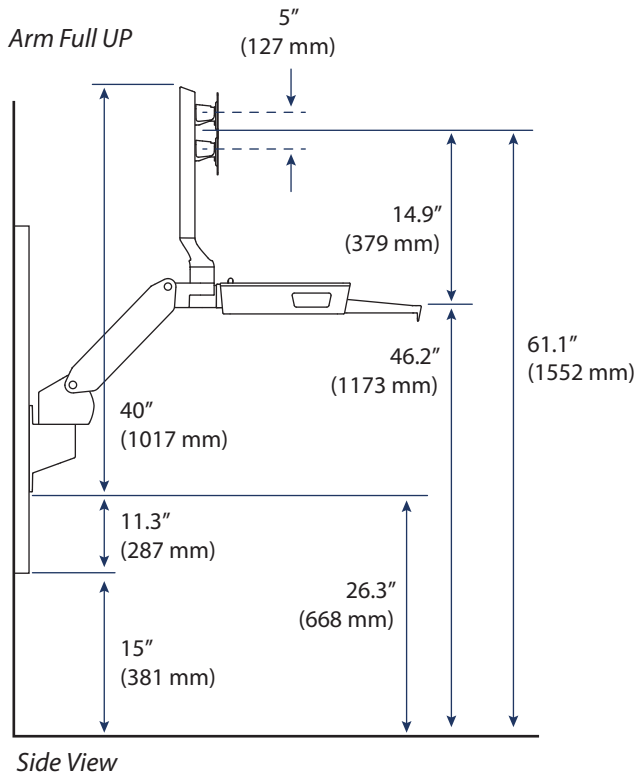
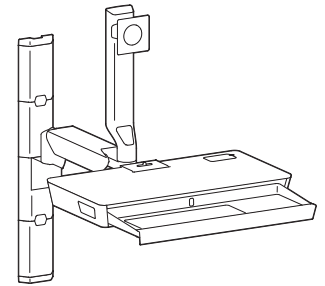
Worldwide Custom Sales: [custom@ergotron.com](mailto:custom@ergotron.com)

Ergotron devices are not intended to cure, treat, mitigate or prevent any disease. Patent information available at [www.ergotron.com/patents](http://www.ergotron.com/patents)

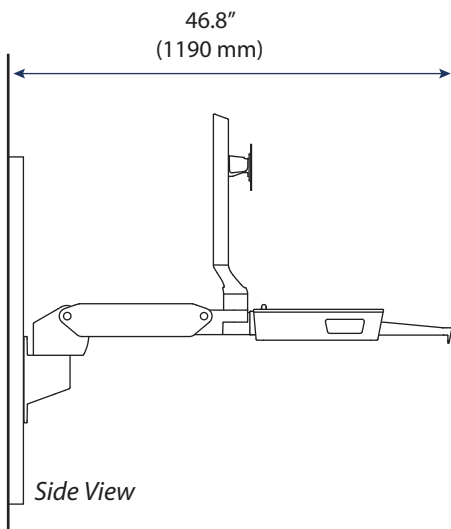
© 2022 Ergotron, Inc. rev. 10/19/2022 DIM-CFArmSysWS Content is subject to change without notification

# CareFit™ Combo System with worksurface

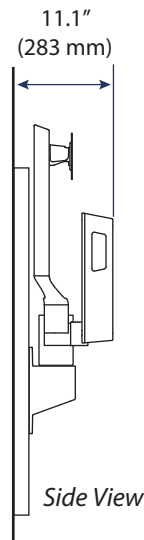
**DIMENSIONS**



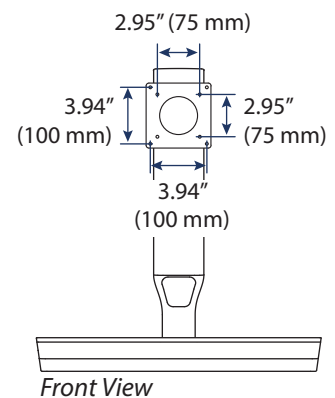
*Fully Extended*



*Folded Up Against Wall*

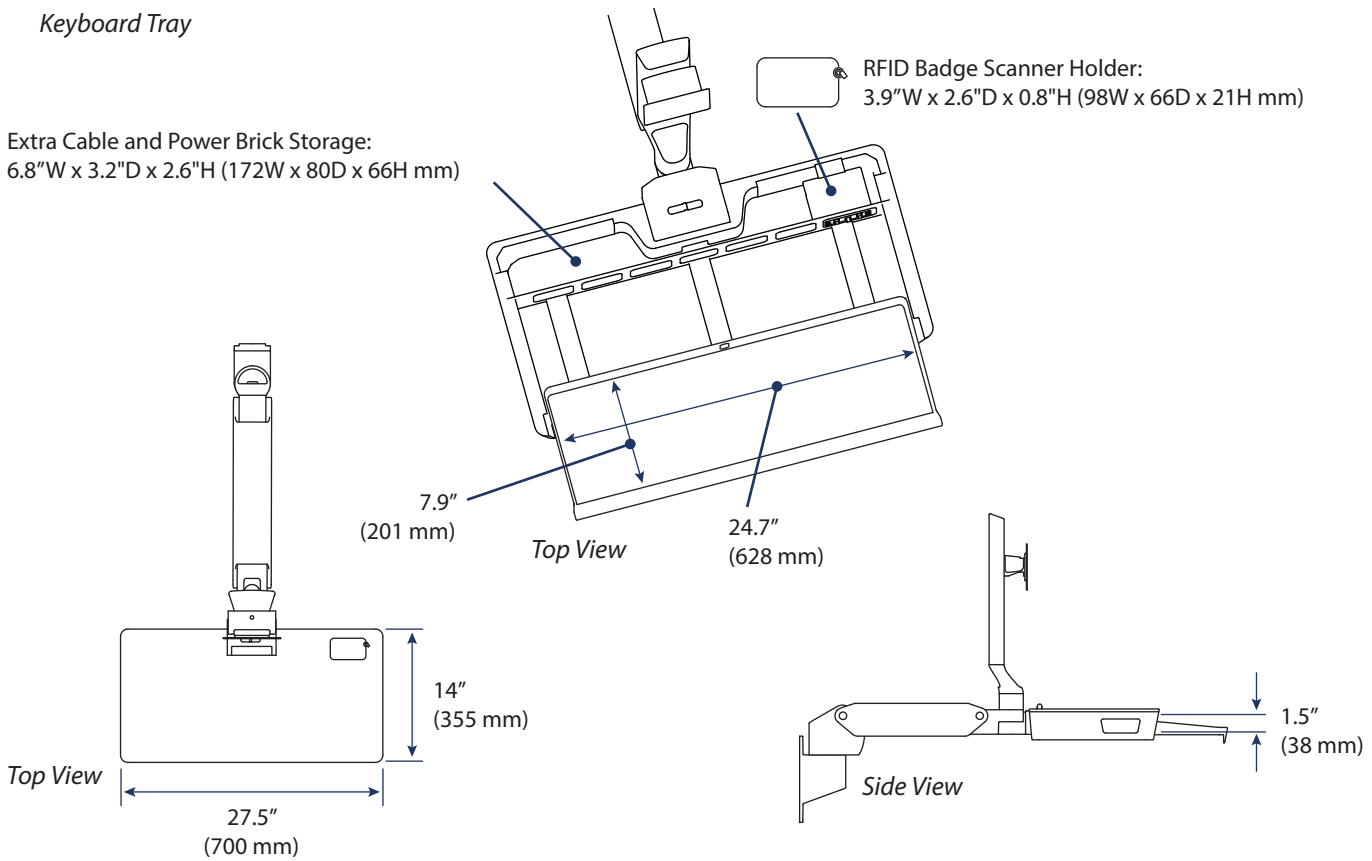
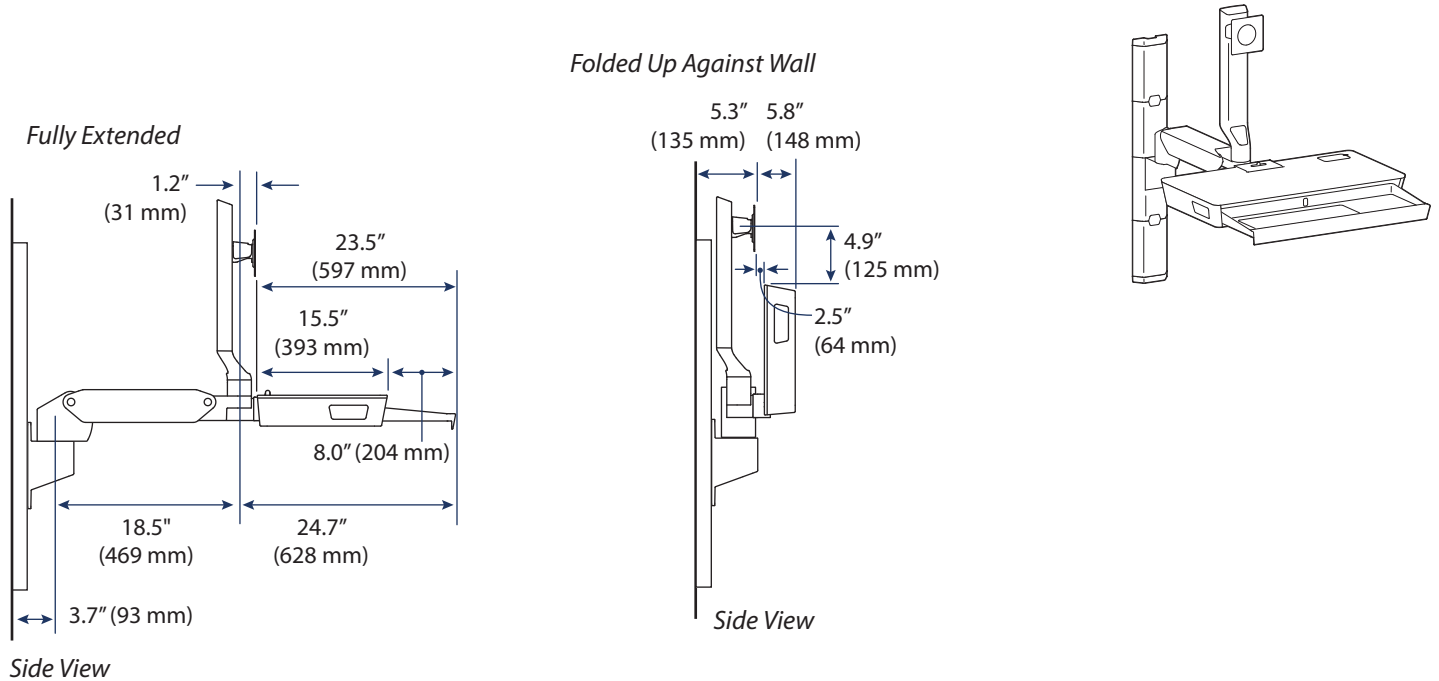


*VESA Monitor Bracket*



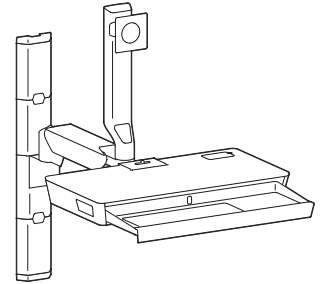
# CareFit™ Combo System with worksurface

**DIMENSIONS**

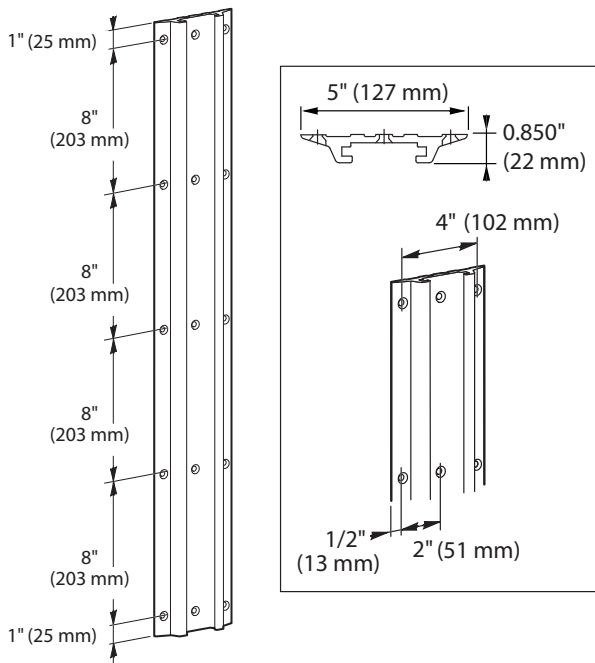


## CareFit™ Combo System with worksurface

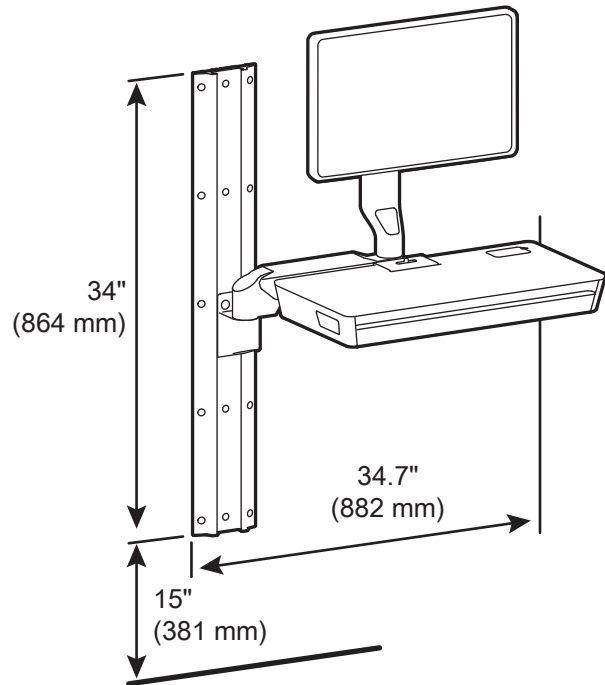
### DIMENSIONS



Wall Track



Pushed back against the wall



## CareFit™ Combo System with worksurface

### WALL MOUNTING OPTIONS

There are 4 wall types to mount to:

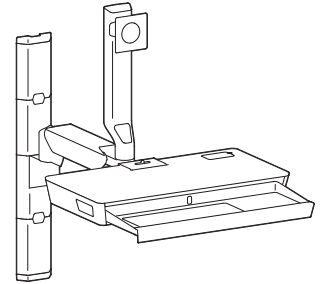
Wood (Provided mounting hardware)

Metal Stud (Provided mounting hardware)

Concrete (Need customer supplied fasteners)

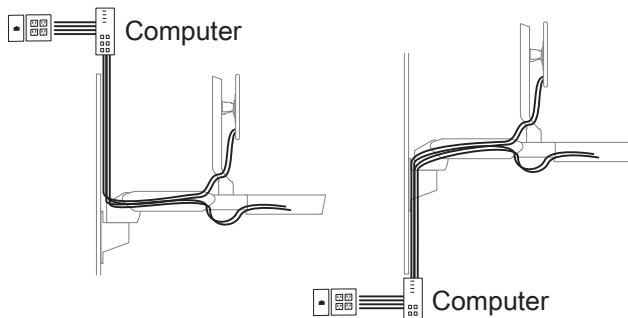
Hollow Wall:

- Provided mounting hardware
- Wall must be 5/8" or 16mm thick.
- The CareFit™ Combo Extender accessory can NOT be mounted to hollow wall.



### CABLES

Cable length needed based on equipment and accessories:



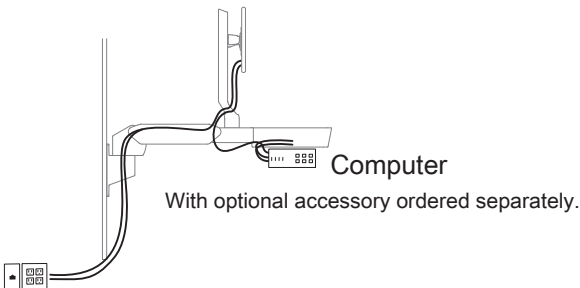
#### Cables:

HDMI: 6' (1.8 m)

Ethernet: 6' - 10' (1.8-3 m)

Monitor Power: 6' - 10' (1.8-3 m)

2.0 USB Extenders: 6' (1.8 m) per accessory



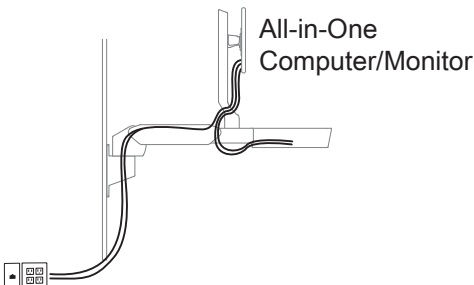
#### Cables:

HDMI: 4' (1.2 m)

Ethernet: 6' - 10' (1.8-3 m)

Monitor Power: 6' - 10' (1.8-3 m)

Computer Power: 6'-10' (1.8-3 m)



#### Cables:

Ethernet: 6' - 10' (1.8-3 m)

Monitor Power: 6' - 10' (1.8-3 m)