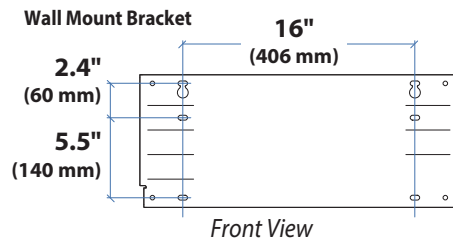
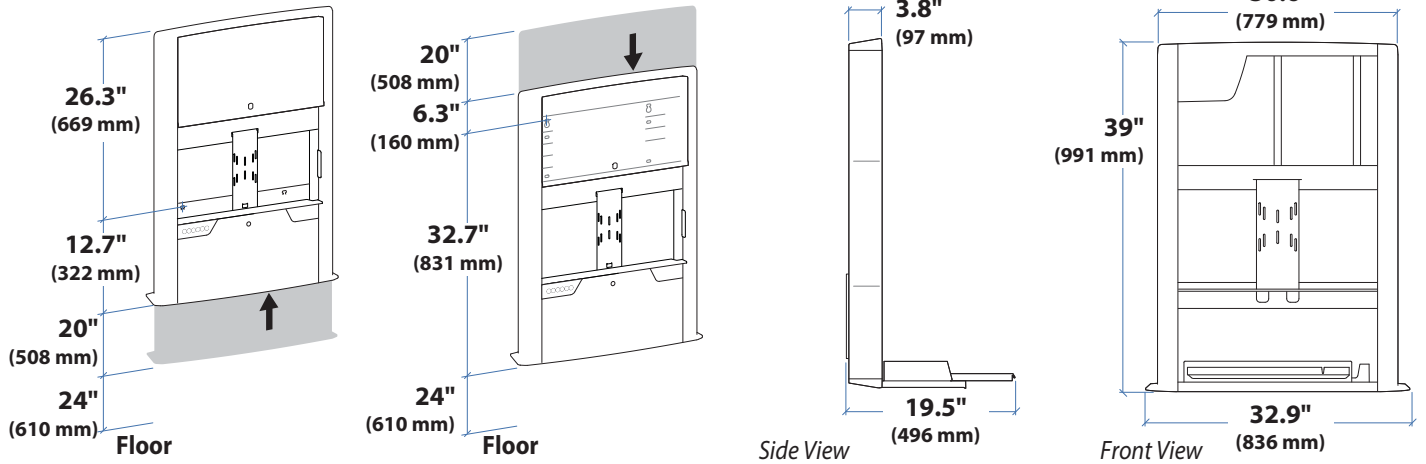
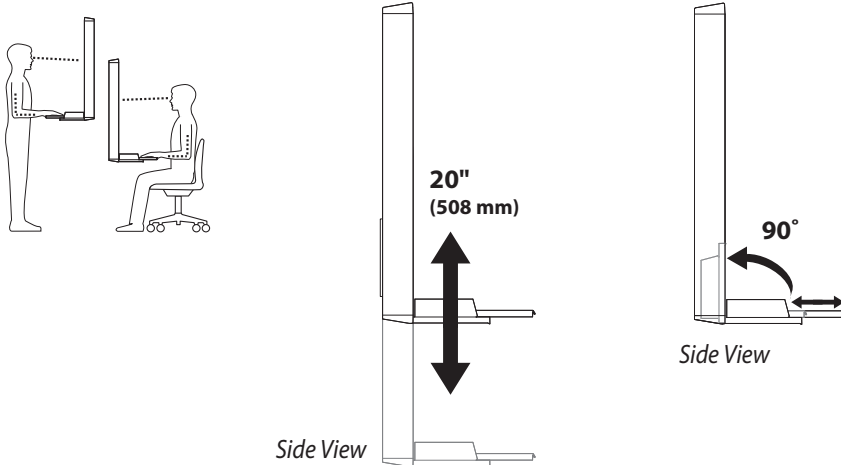


CareFit™ Enclosure

Dimensions



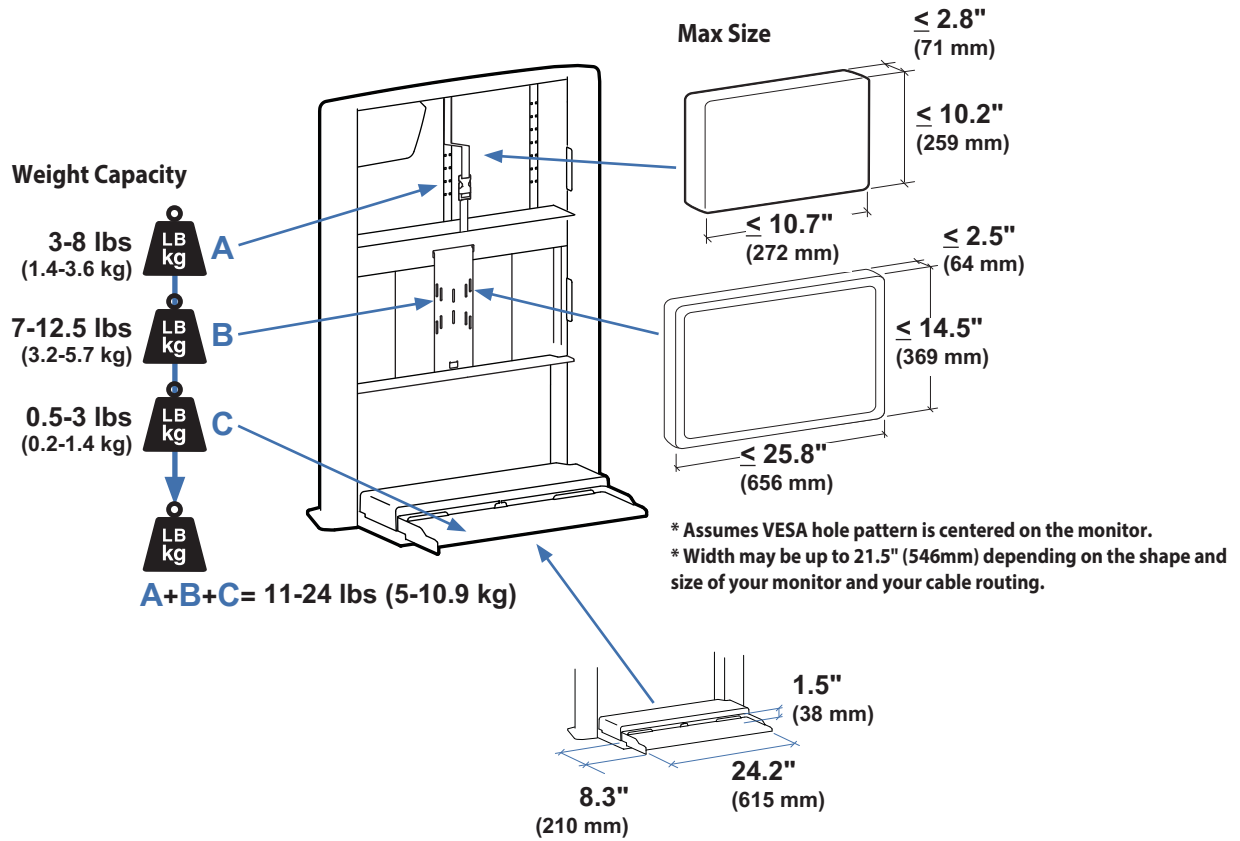
Range of Motion



© 2019 Ergotron, Inc. rev. 08/08/2019 DIM-CFEnclosure **Content is subject to change without notification**

| Americas Sales and Corporate Headquarter | EMEA Sales | APAC Sales | Worldwide OEM Sales |
|---|---|---|---|
| St. Paul, MN USA (800) 888-8458 +1-651-681-7600 www.ergotron.com sales@ergotron.com | Amersfoort, The Netherlands +31 33 45 45 600 www.ergotron.com info.eu@ergotron.com | Tokyo, Japan www.ergotron.com apacustomerservice@ergotron.com | www.ergotron.com info.oem@ergotron.com |

CareFit™ Enclosure



© 2019 Ergotron, Inc. rev. 08/08/2019 DIM-CFEnclosure **Content is subject to change without notification**

| Americas Sales and Corporate Headquarter | EMEA Sales | APAC Sales | Worldwide OEM Sales |
|---|---|--|---|
| St. Paul, MN USA (800) 888-8458 +1-651-681-7600 www.ergotron.com sales@ergotron.com | Amersfoort, The Netherlands +31 33 45 45 600 www.ergotron.com info.eu@ergotron.com | Tokyo, Japan www.ergotron.com apaccustomerservice@ergotron.com | www.ergotron.com info.oem@ergotron.com |