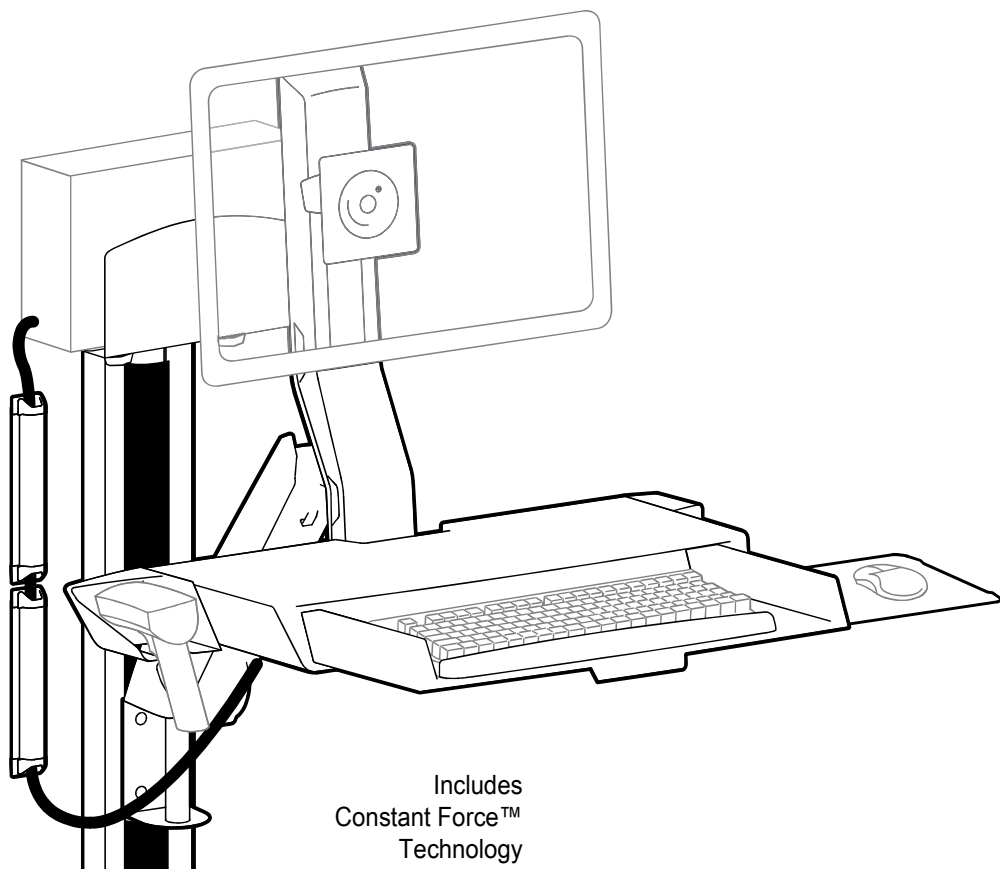


ergotron®

StyleView Sit Stand Combo System with Worksurface, Small CPU Holder and Panning Pivot



English

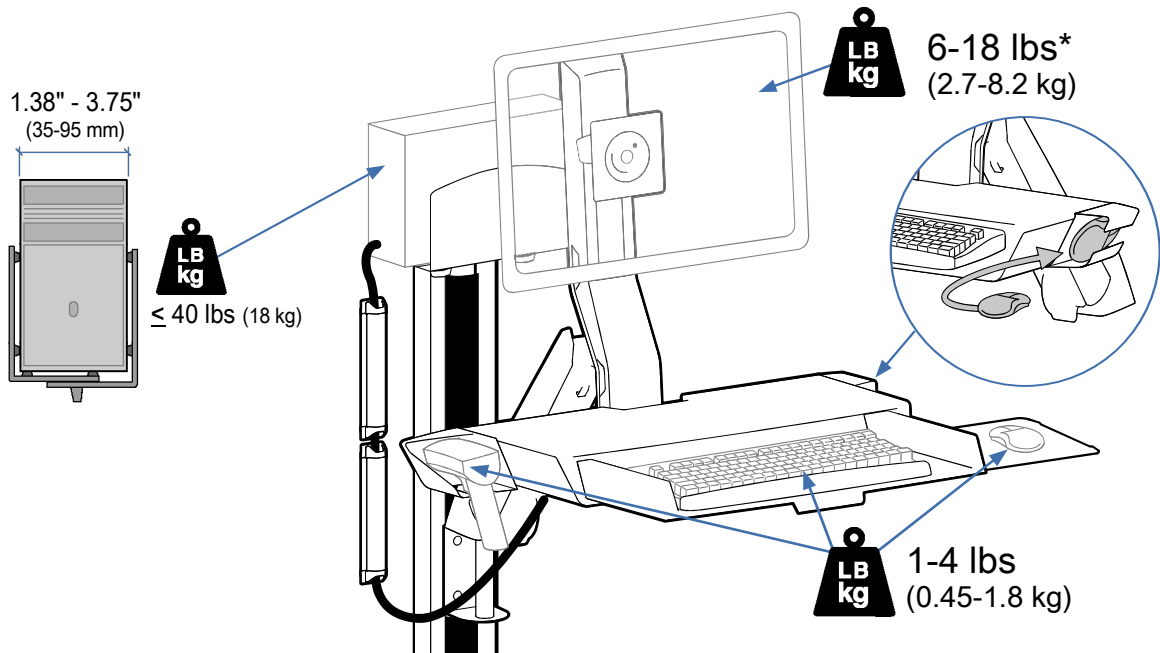


For the latest User Installation Guide please visit: www.ergotron.com

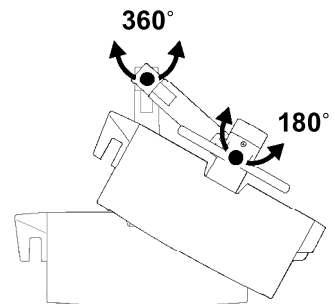
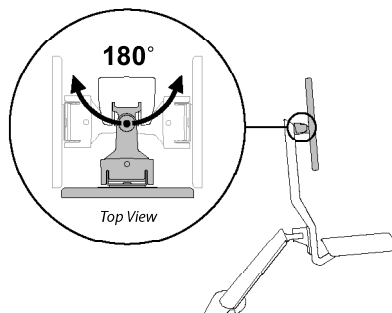
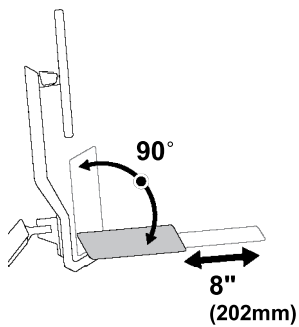
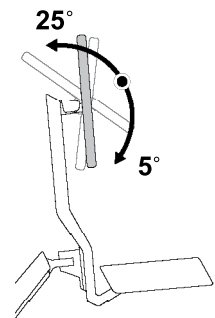
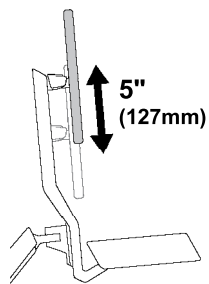
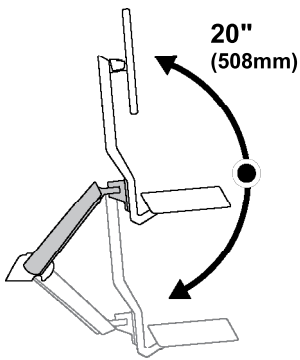
English, Español, Français, Deutsch, Nederlands, Italiano, Svenska, 日本語, 汉语

www.ergotron.com | USA: 1-800-888-8458 | Europe: +31 (0)33-45 45 600 | China: 400-120-3051 | Japan: japansupport@ergotron.com

Features & Specifications



* The Combo Arm can be modified to mount displays up to 20 lbs (9.1 kg), however display lift and tilt motion will not be possible if this option is chosen. Refer to special instructions on page 13.





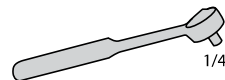
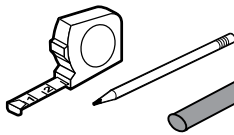
Important! You will need to adjust this product after installation is complete. Make sure all your equipment is properly installed on the product before attempting adjustments. This product should move smoothly and easily through the full range of motion and stay where you set it. If movements are too easy or difficult or if product does not stay in desired positions, follow the adjustment instructions to create smooth and easy movements. Depending on your product and the adjustment, it may take many turns to notice a difference. Any time equipment is added or removed from this product, resulting in a change in the weight of the mounted load, you should repeat these adjustment steps to ensure safe and optimum operation.

⚠ WARNING

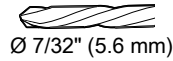
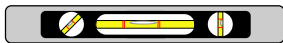
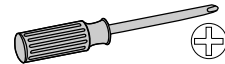
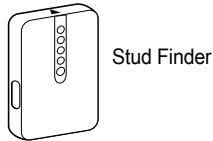
Stored Energy Hazard: The arm mechanism is under tension and will move up rapidly, on its own, as soon as attached equipment is removed. For this reason, DO NOT remove equipment unless the arm has been moved to the highest position! Failure to follow this instruction may result in serious personal injury and/or equipment damage!

826-542

Tools Needed



- 10mm
- 11 mm
- 13 mm
- 17 mm
- 7/16"



Ø 7/32" (5.6 mm)



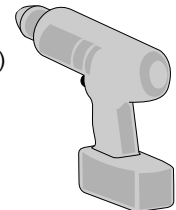
Ø 3/8" (10 mm)

Concrete Wall Mounting



Ø 1/2" (12.8 mm)

HOLLOW WALL



Components

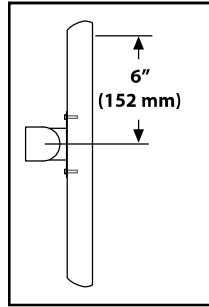
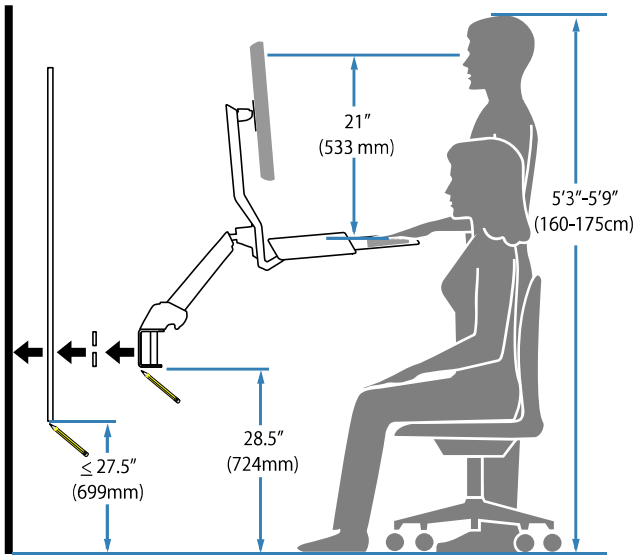


	A	B	C	D	E
1	1x	2x 2x 2x	1x	1x	2x 3x
2			1x	1x	1x
3		1x	1x 1x 1x 1x 1x	1x 4x 4x 4x 1x	
4		1x	1x	2x	8x 8x
5	1x	10x		4x 1x	4x
6	1x	10x		10x	10x
7	1x	10x		1x	2x
8	2x	4x 4x		4x	2x
9	2x 2x 2x			1x Optional Weight Capacity Modification Fasteners 2x	1x

1 Mounting Height for Ergonomic Workstation

This mounting height is a recommendation for an ergonomic workstation that accommodates user heights of 5'3"-5'9" (160-175cm).

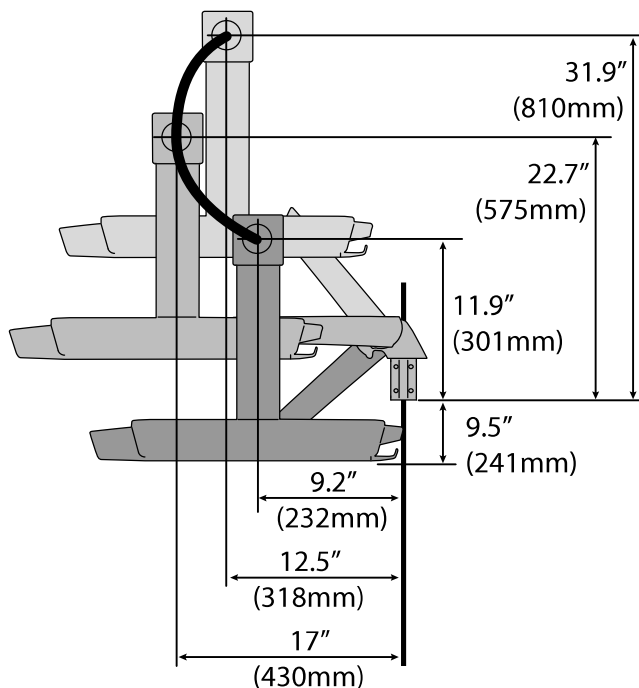
If user heights are different than this, you should change mounting height to accommodate user heights. (Change mounting height one inch for every one inch difference in user heights).



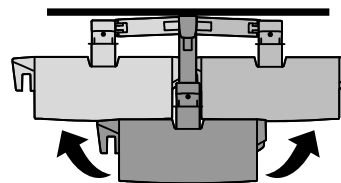
Mounting height assumes there is a 6" (152 mm) distance between the center of your monitor mounting holes and the top of the screen. If your distance is smaller, you should increase mounting height accordingly, if your distance is larger, you should decrease your mounting height accordingly.

Determine mounting location:

Front view with arm pushed back against the wall.

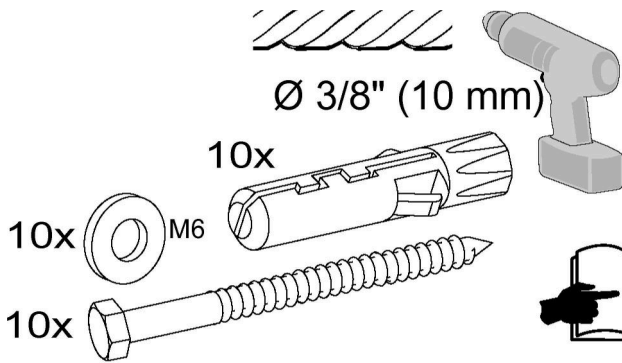
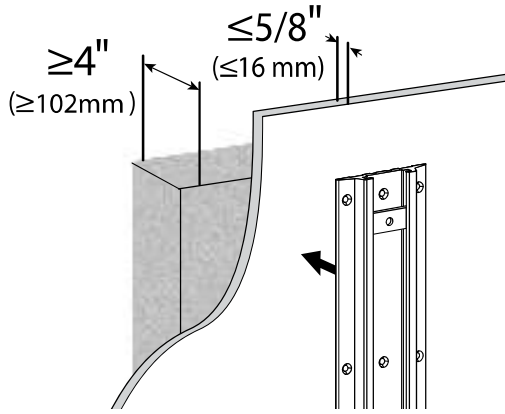


Top view showing range of motion when pulled out from the wall.

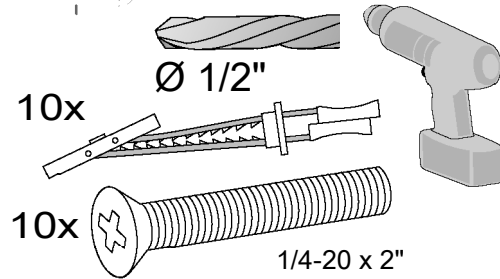
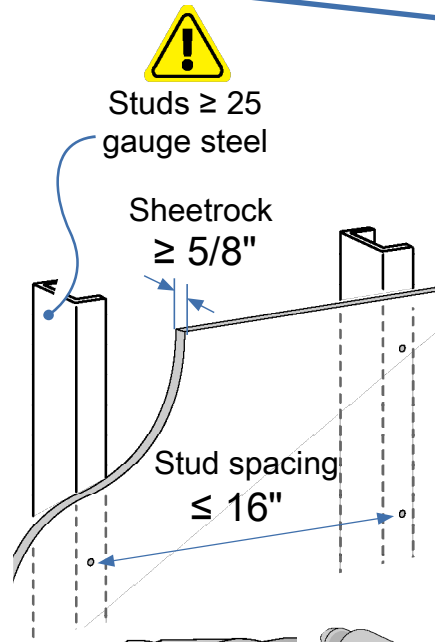


2

Concrete Wall Mounting

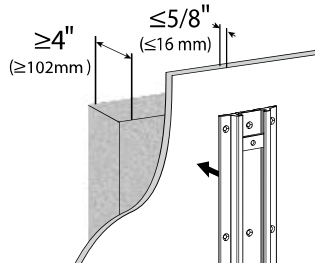


HOLLOW WALL



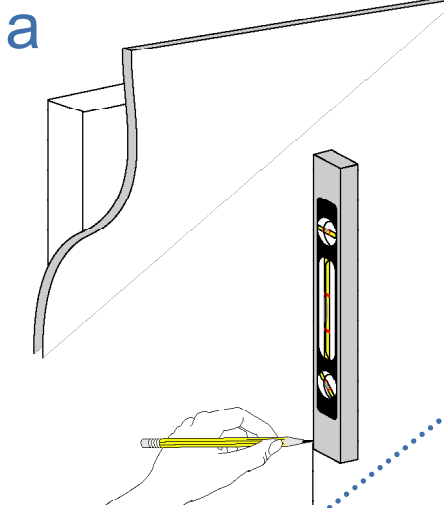
WARNING: Because surfaces vary widely and the ultimate mounting method is out of Ergotron's control, it is imperative that you consult with appropriate engineering, architectural or construction professional to ensure that your Ergotron mounting solution is mounted properly to handle applied loads.

2 Concrete Wall Mounting

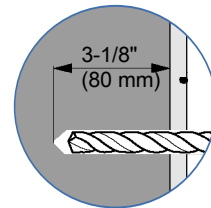
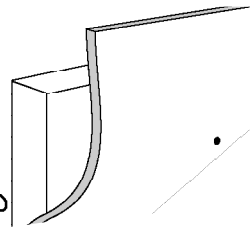


WARNING:

Mounting holes must be at least 3-1/8" (80mm) deep and must be located within solid concrete, not mortar or covering material. If you drill into an area of concrete that is not solid, reposition mounting holes until both anchors can be fully inserted into solid concrete!



c

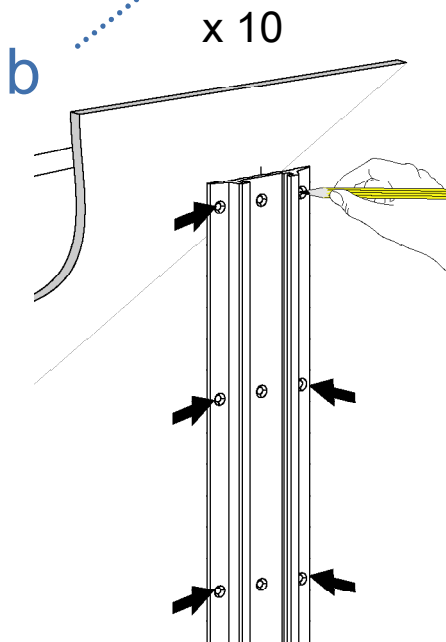


x 10

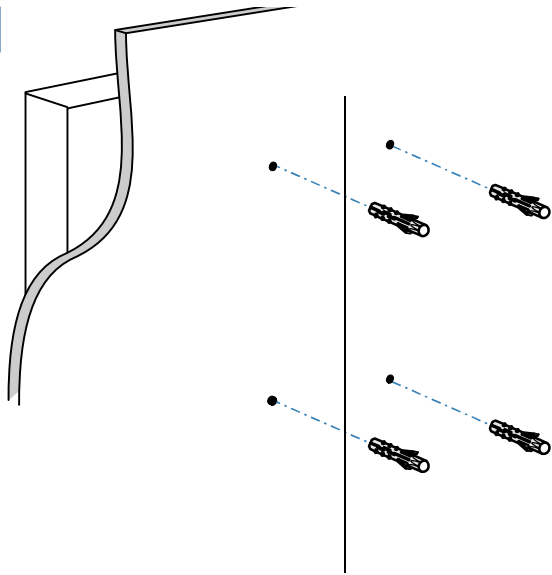


WARNING:

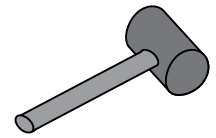
Anchors that are not fully set in solid concrete will not support the applied load resulting in an unstable, unsafe condition which could lead to personal injury and/or property damage. Consult a construction professional if you have any doubt about what this means in regard to your particular situation.



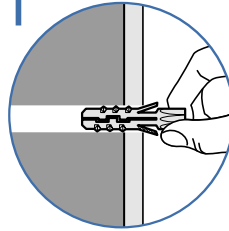
d



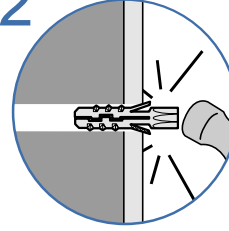
10x



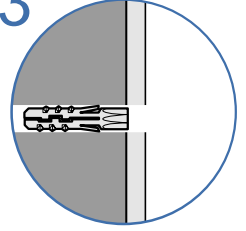
1



2



3

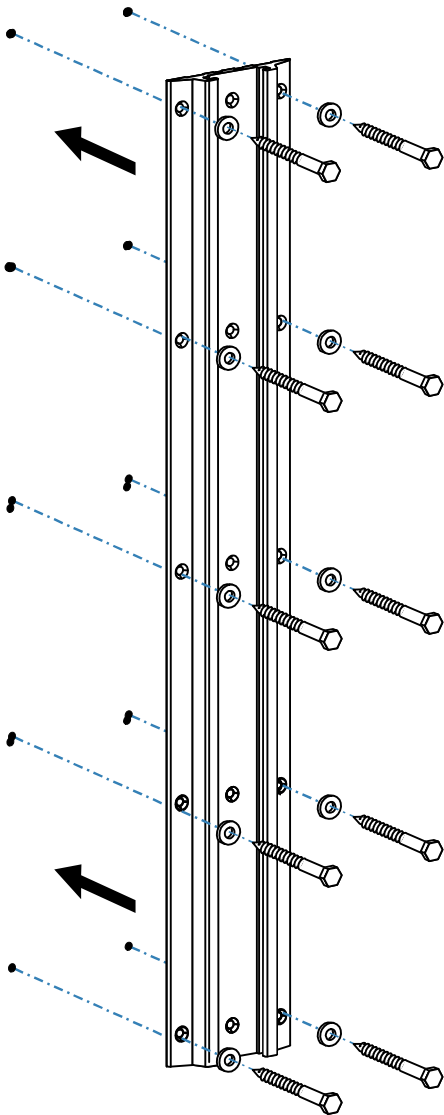
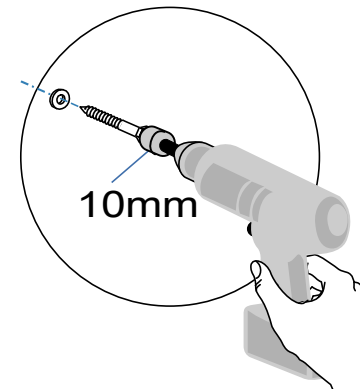
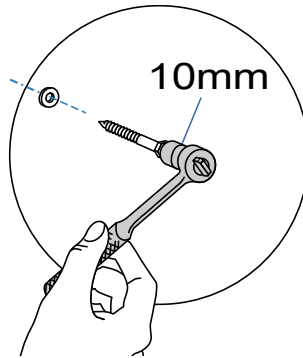
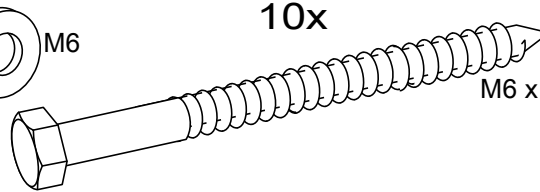


e

10x M6

10x

M6 x 70mm



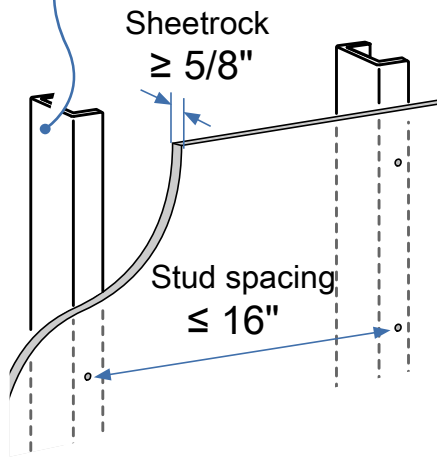
CAUTION: Make sure the wall mount bracket is level, flush and snug to the wall surface. DO NOT OVERTIGHTEN THE BOLTS.

2 HOLLOW WALL

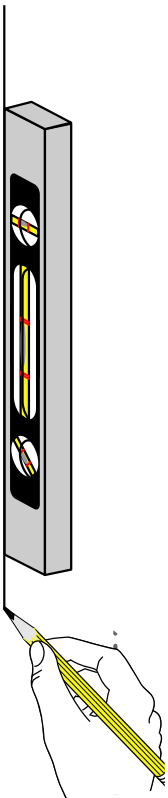


Studs \geq 25 gauge steel

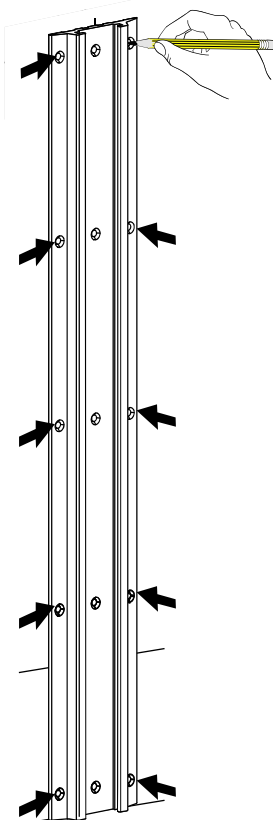
Requires minimum material thickness of 5/8" (16 mm).



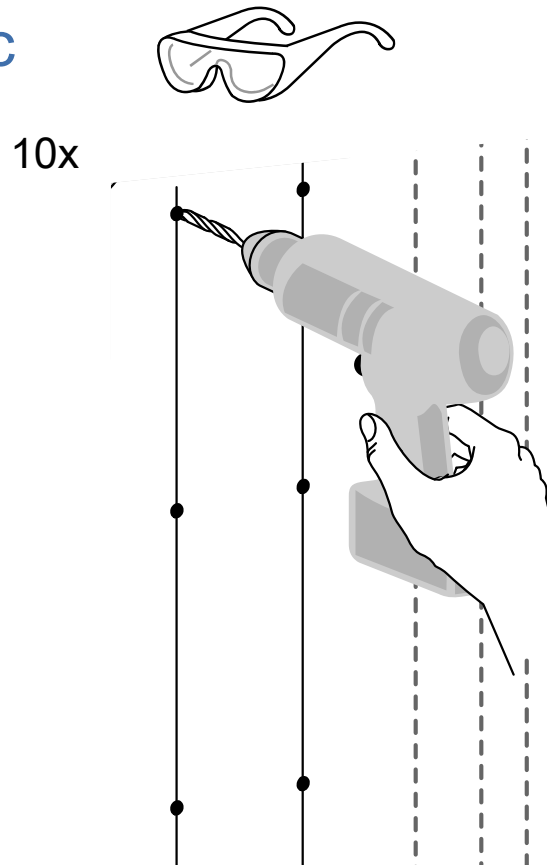
a



b

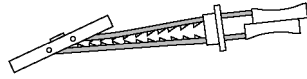


c

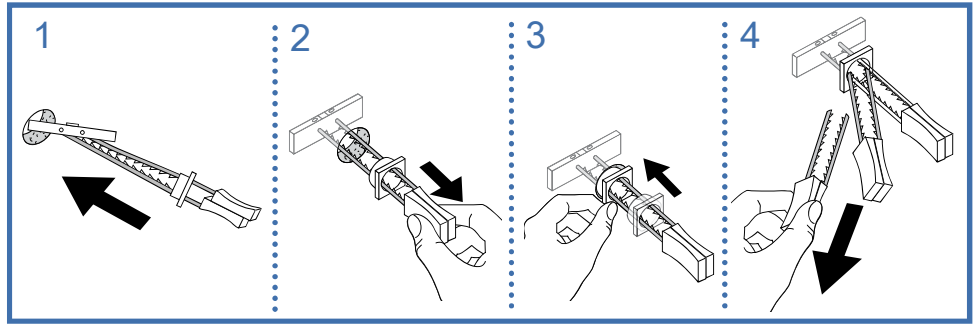


2 HOLLOW WALL

10x

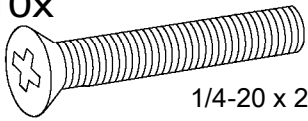


d



e

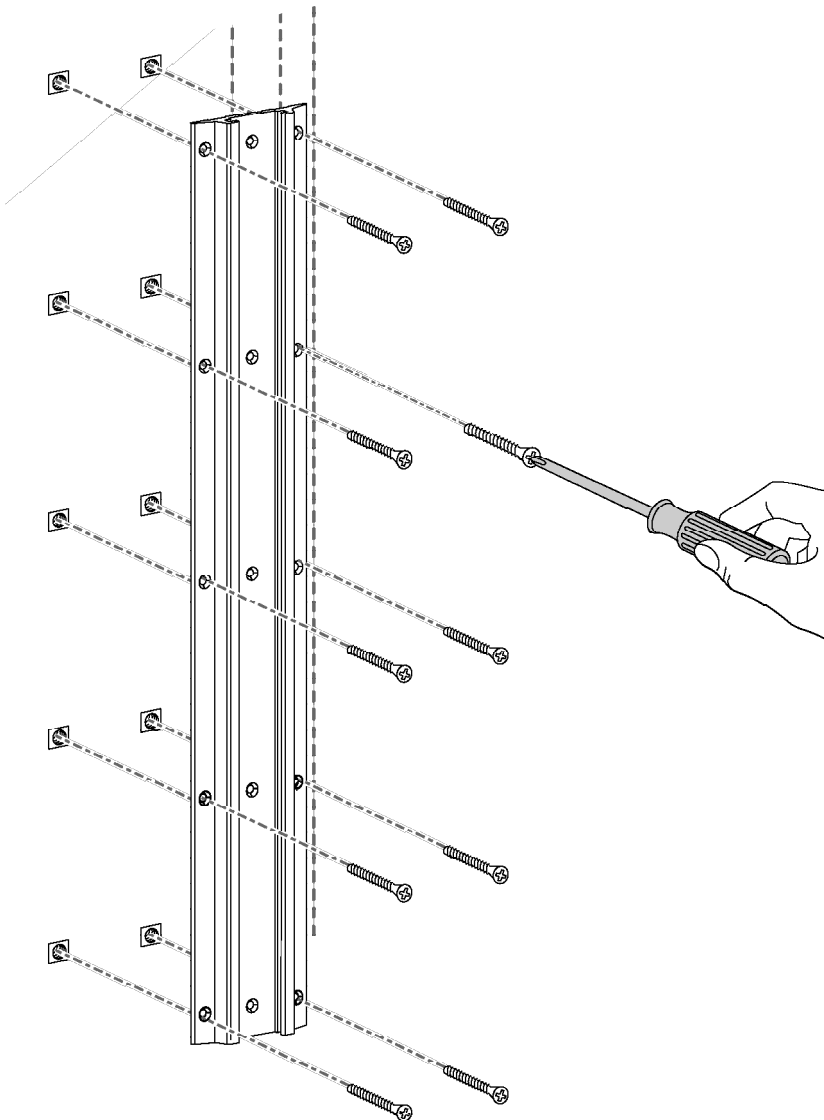
10x



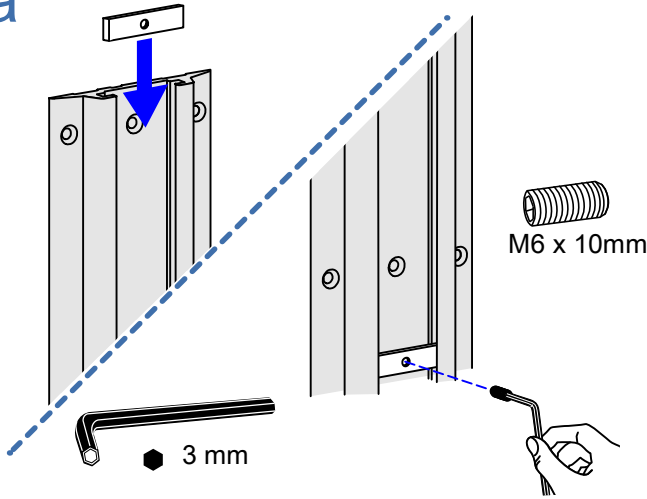
1/4-20 x 2"



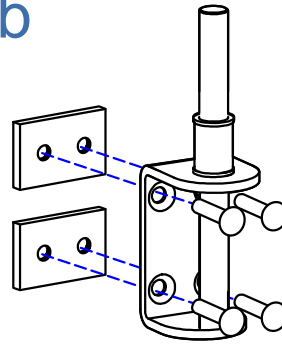
CAUTION: Make sure the wall mount bracket is level, flush and snug to the wall surface. DO NOT OVERTIGHTEN THE BOLTS.



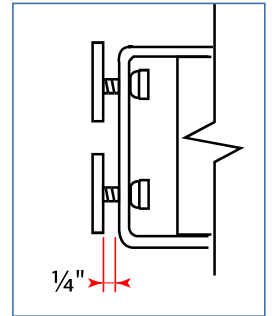
3 a



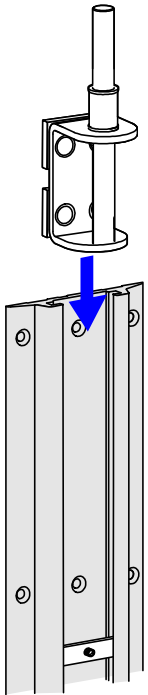
b



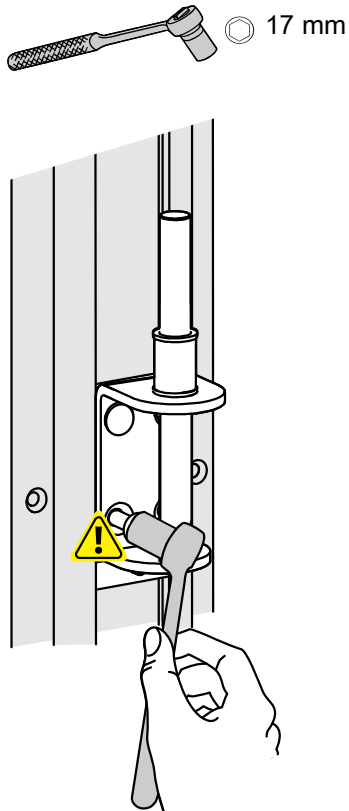
4x
M10 x 12mm



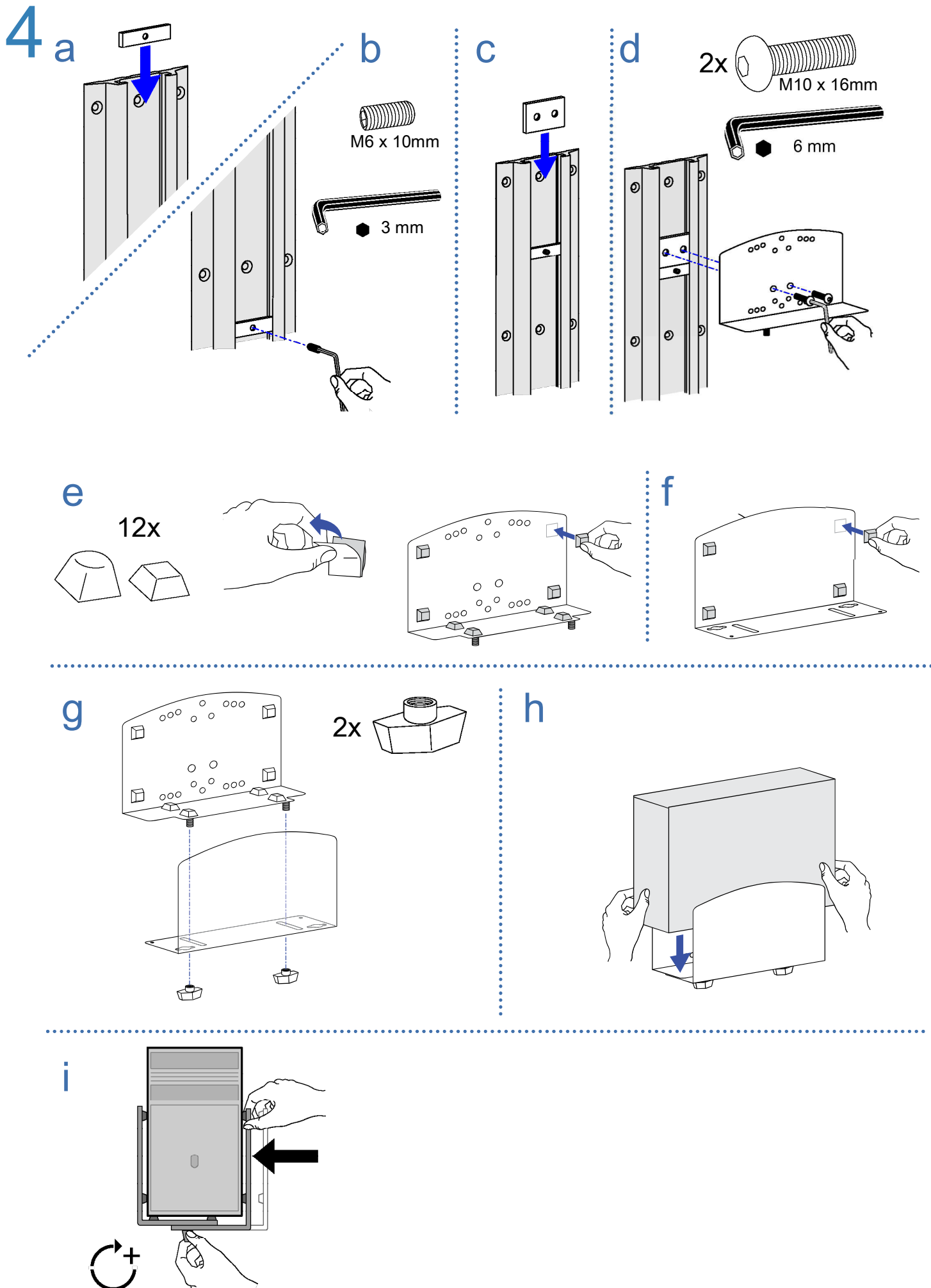
c



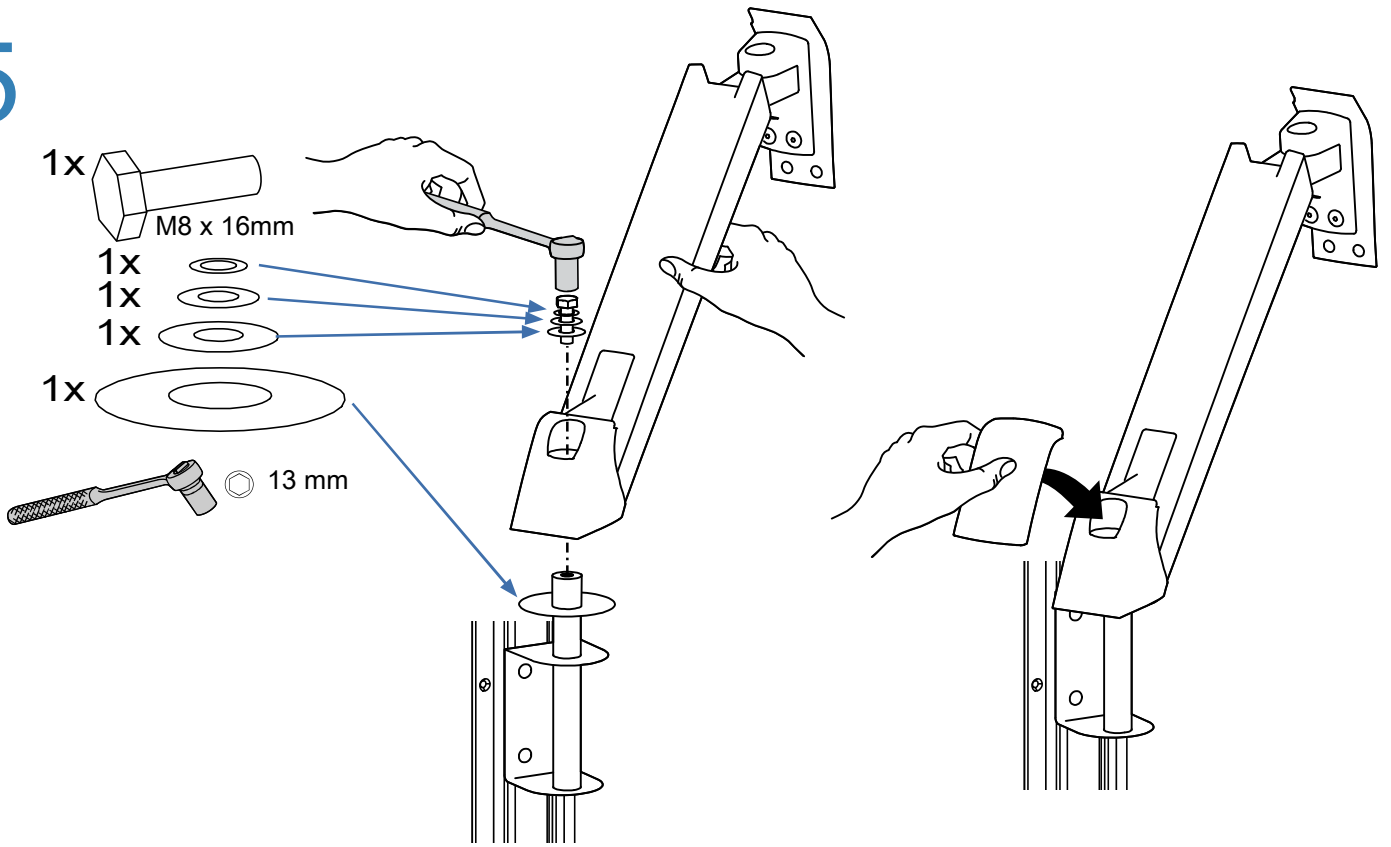
d



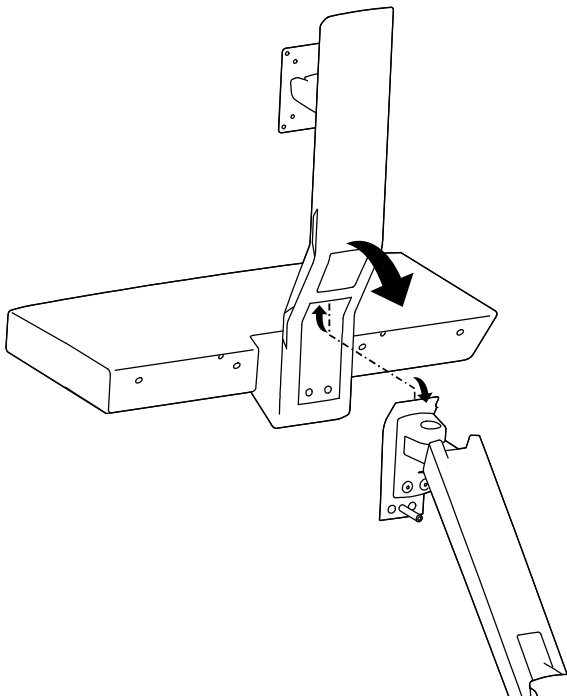
NOTE: Fasteners may unwind due to vibration caused by movement of mounting solution over time. Inspect mounting solution for loose fasteners on a routine basis. If desired, apply a light duty thread locking adhesive to fasteners before installation to prevent back-out.



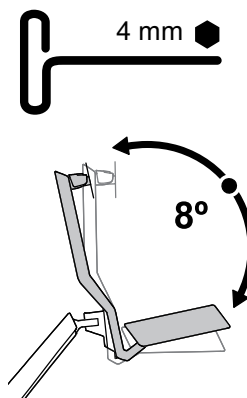
5



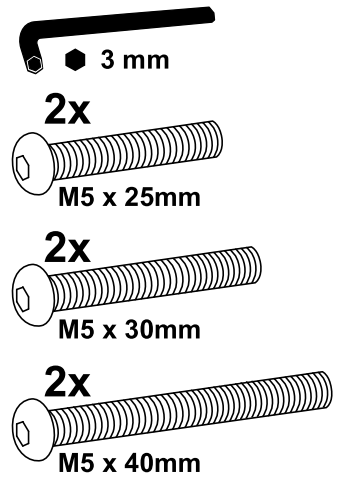
6 a



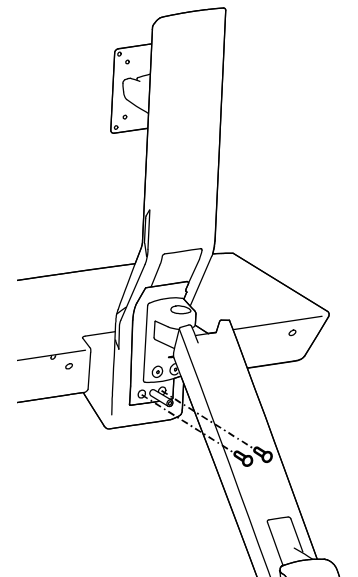
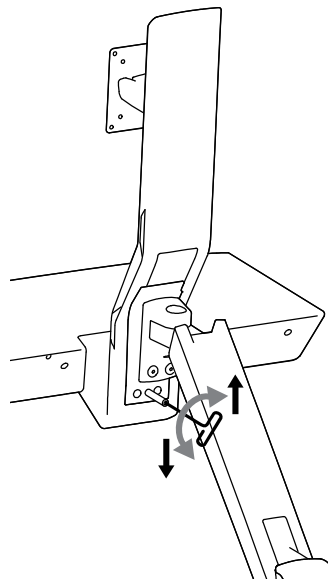
b



c



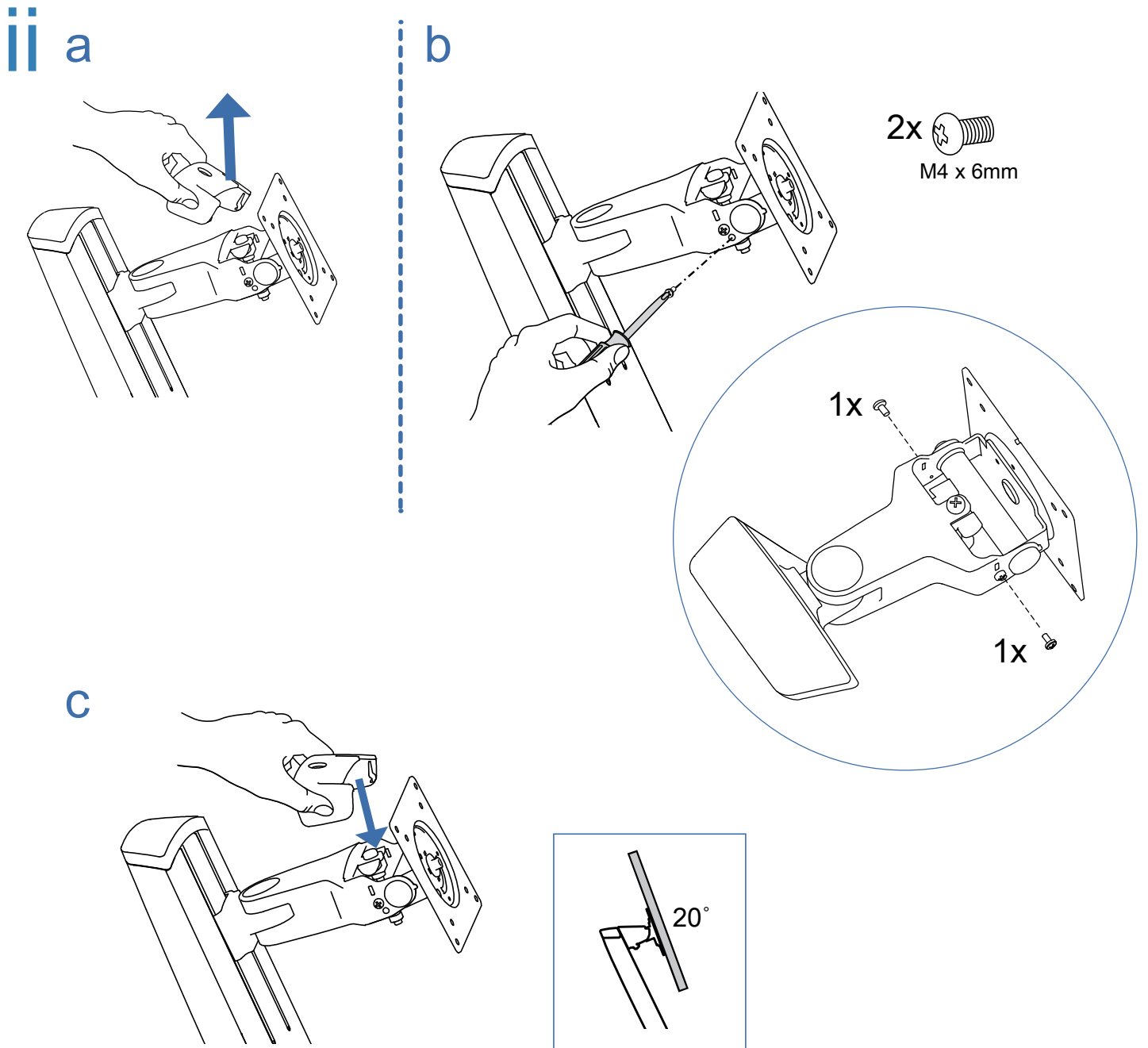
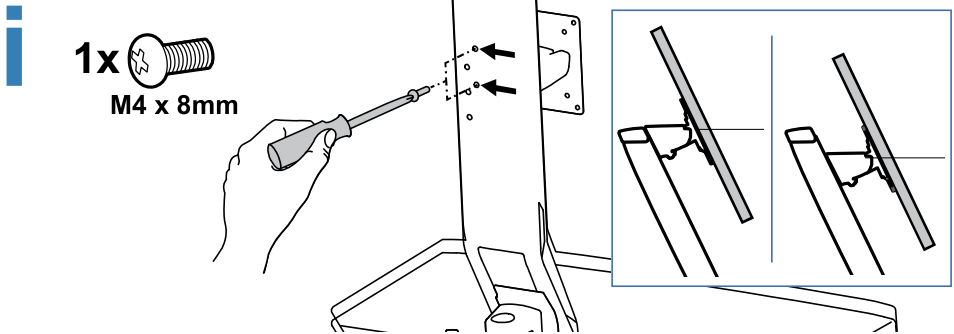
Use only the 2 screws that best fit for the length needed.



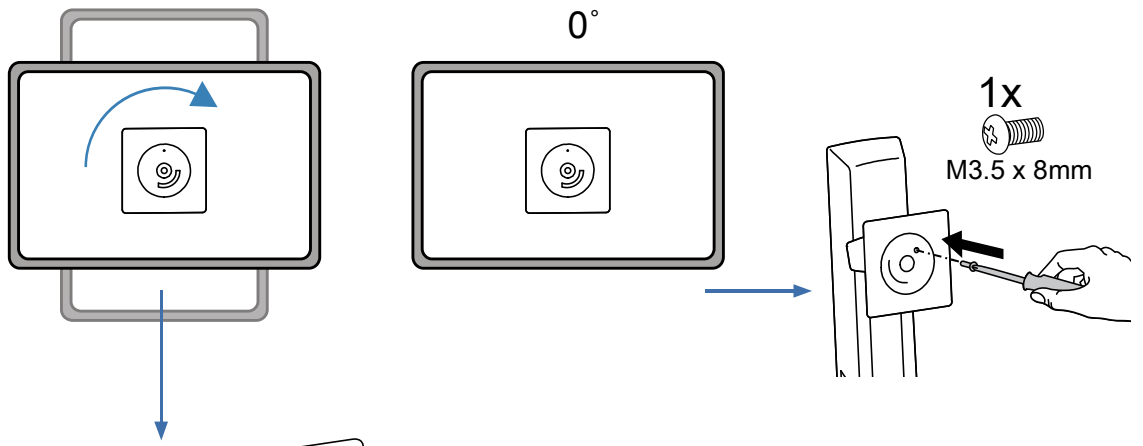
Optional Weight Capacity Modification

Optional Weight Capacity Modification for Displays 18 - 20 lbs (8.2 - 9.1 kg) Only!

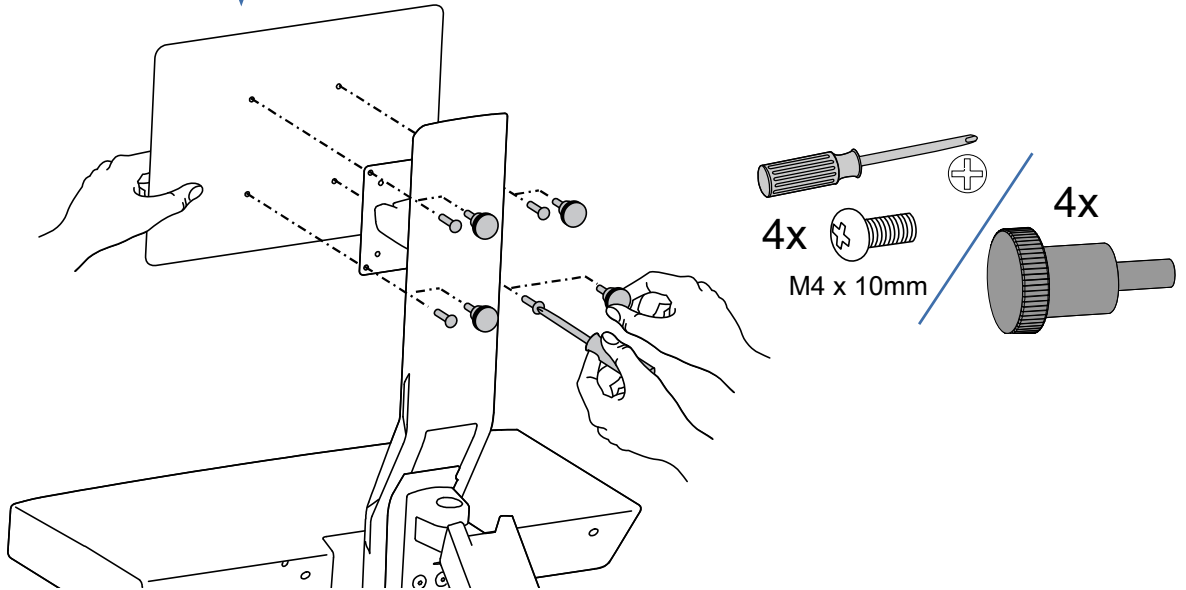
IMPORTANT: with this option display lift and tilt motion are no longer possible. To accommodate extra weight, the display is fixed at one of two heights (spaced 2.5" (65 mm) apart), and display tilt is fixed at 20°. If mounting a display 18 lbs (8.2 kg) or less, skip to next page.



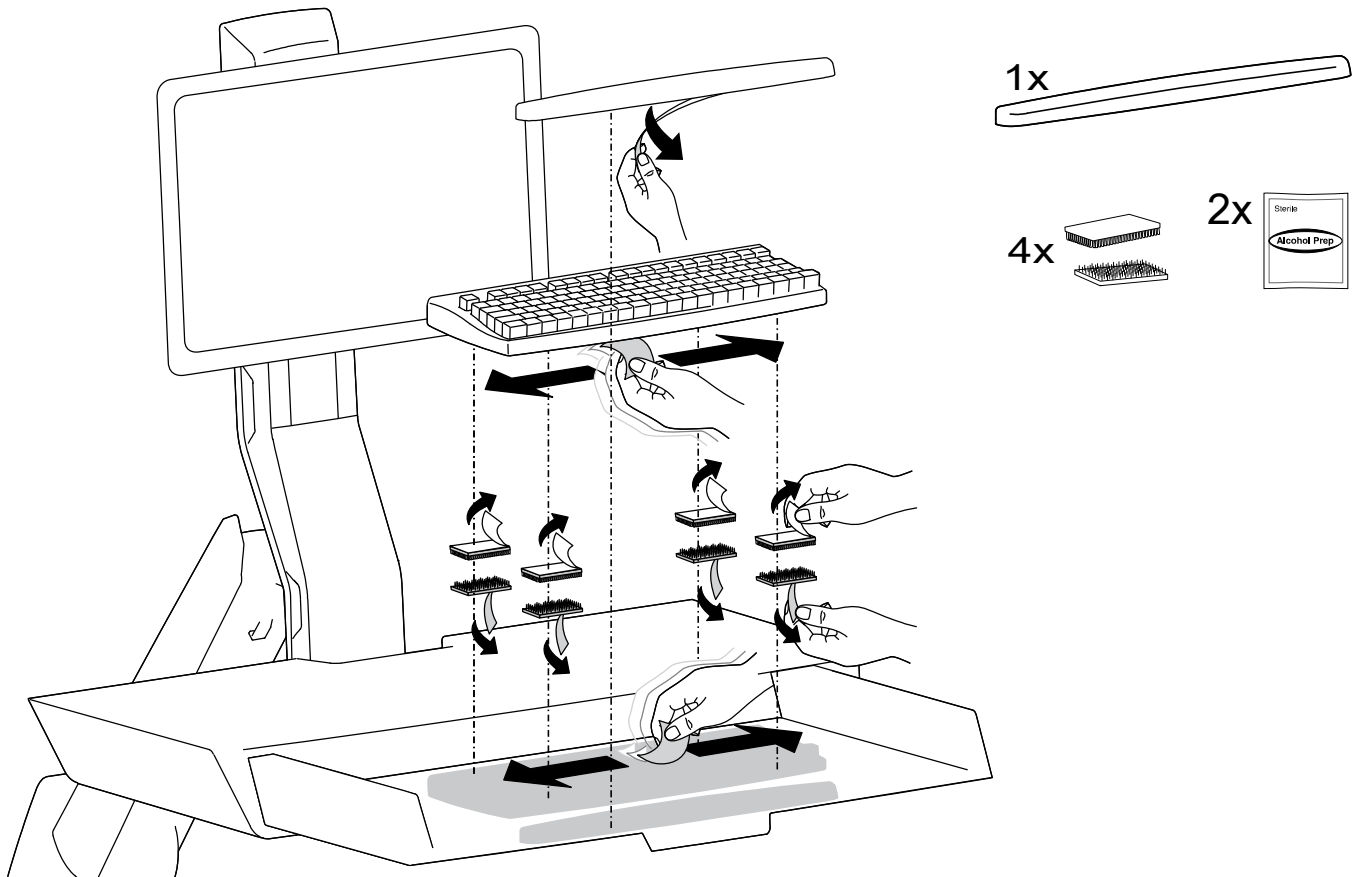
7



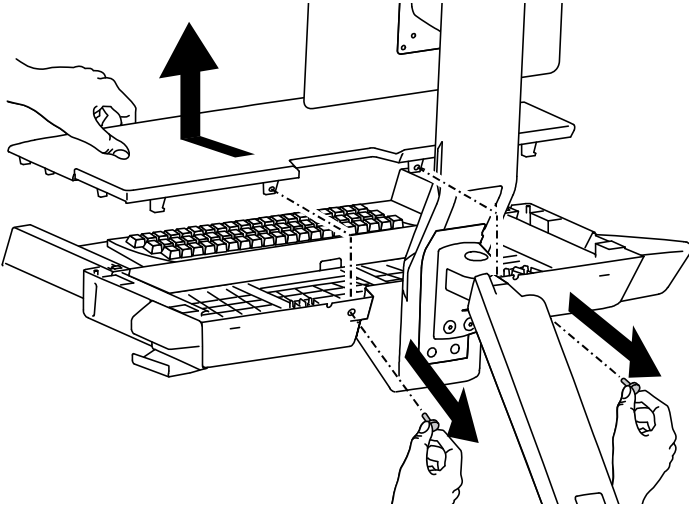
8



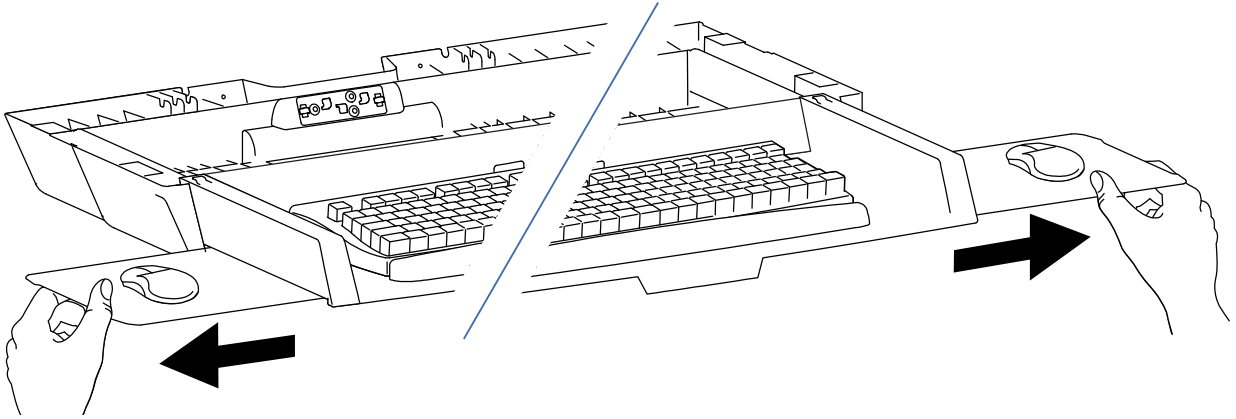
9



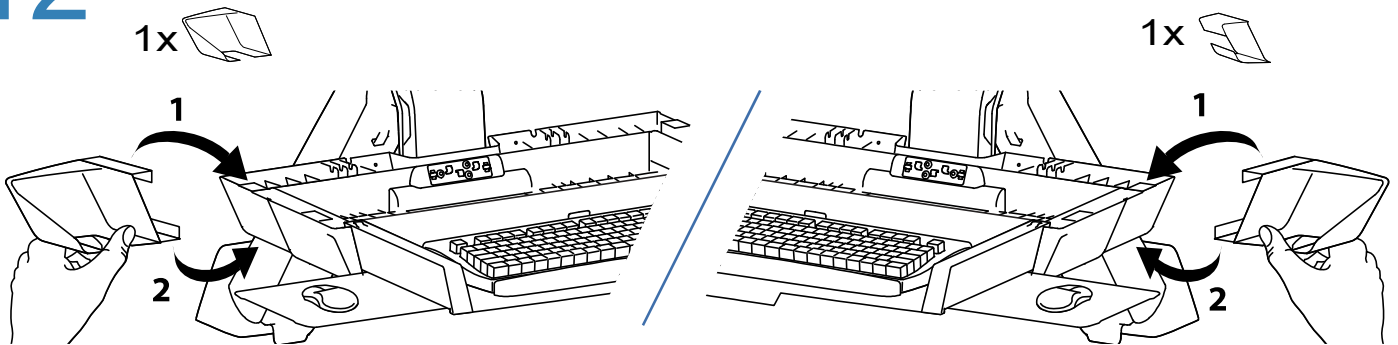
10



11



12



13

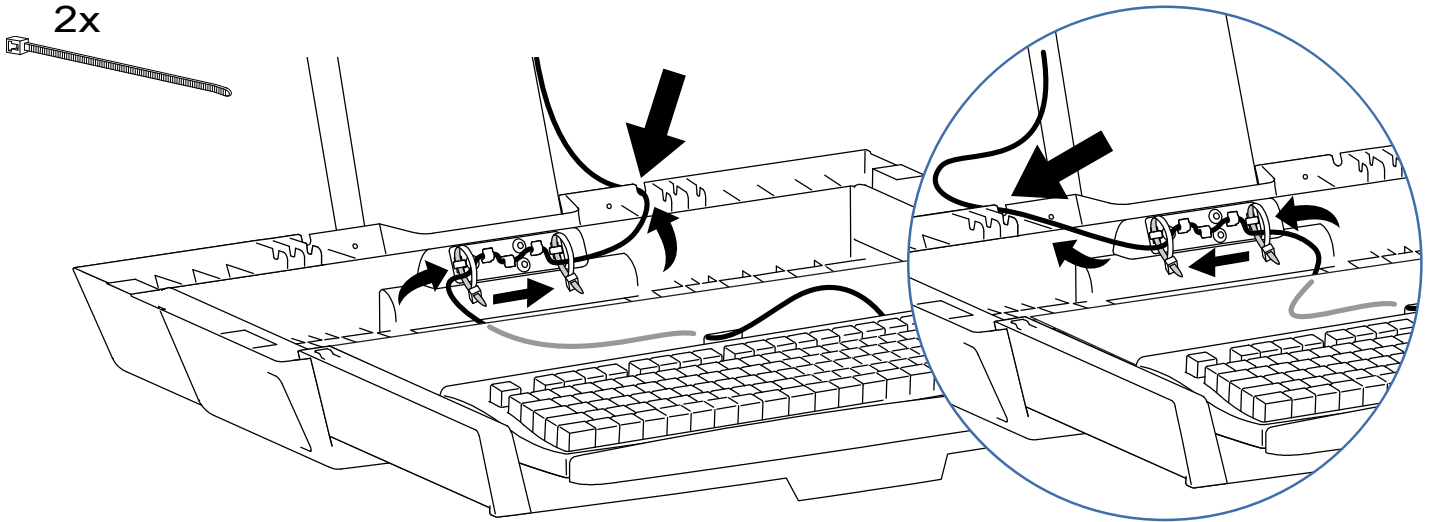


NOTE: Leave enough slack in cable to allow full range of motion.



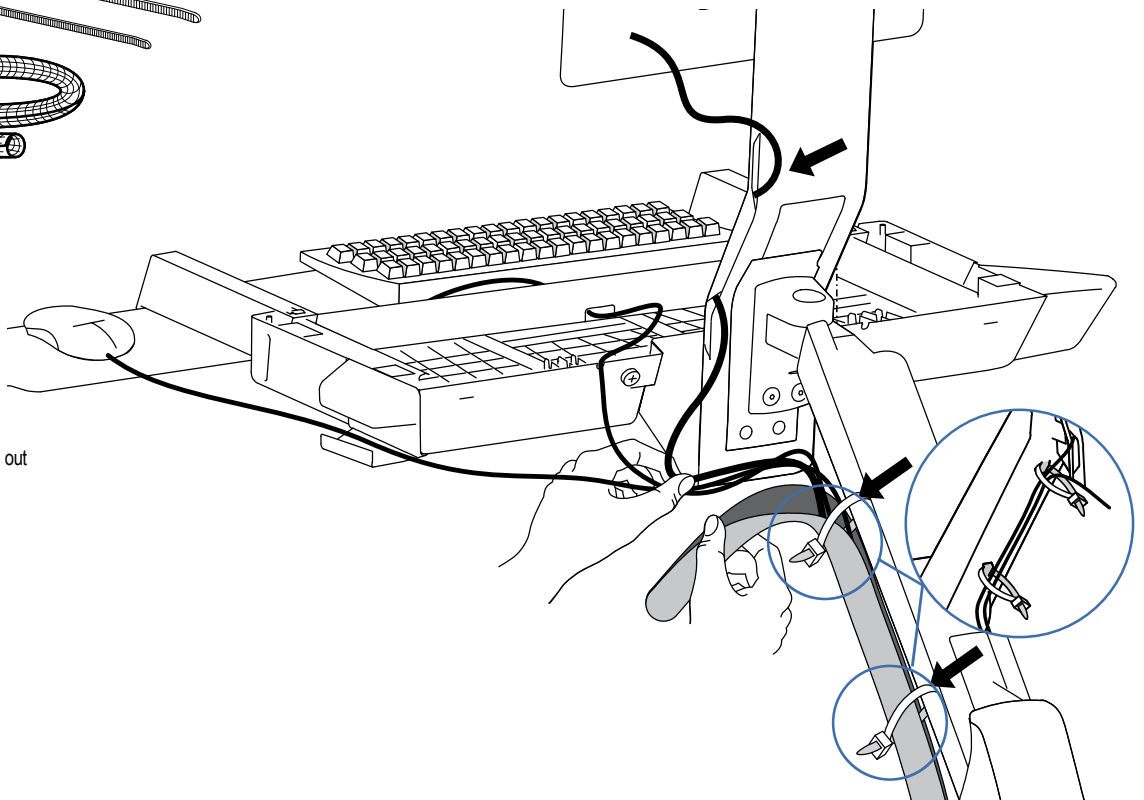
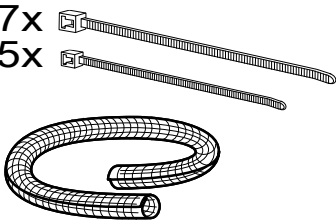
Caution:

To avoid the potential to pinch cables it is important to follow the cable routing instructions in this manual. Failure to follow these instructions may result in equipment damage or personal injury.



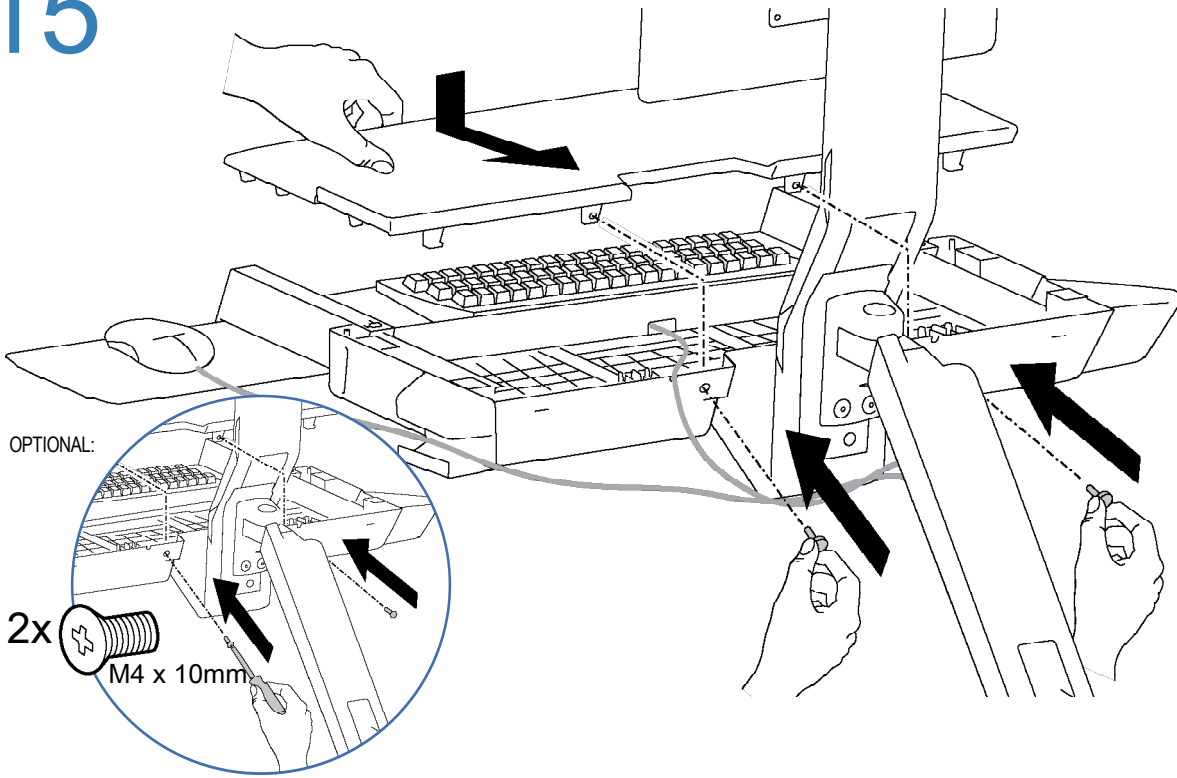
14

7x
5x



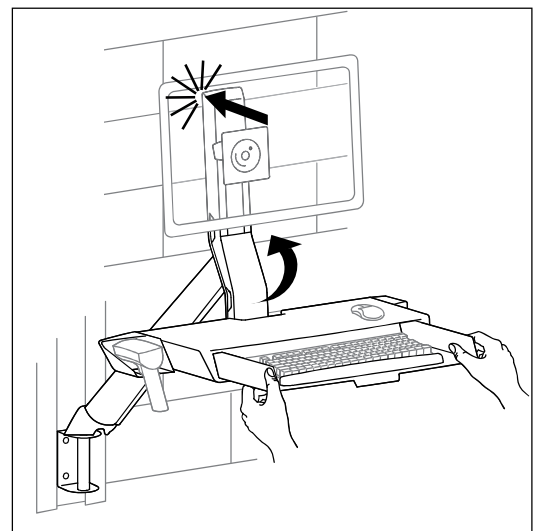
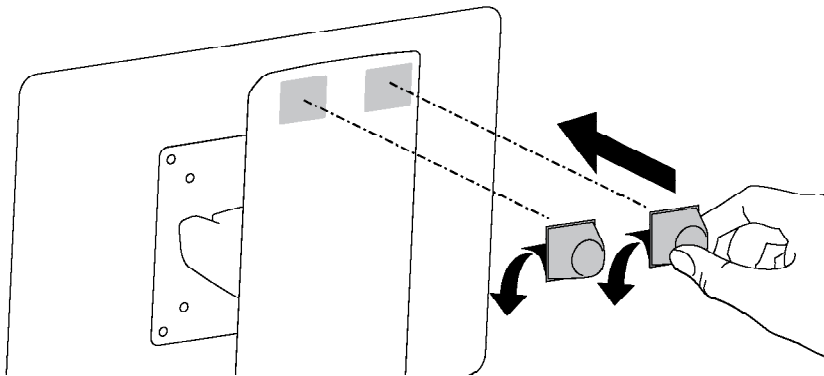
NOTE: Make sure cables can slide in and out through covers and cable channels.

15




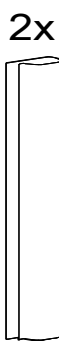
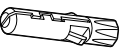



16

2x 

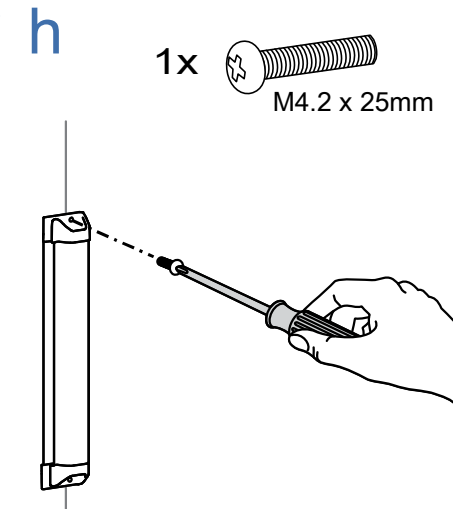
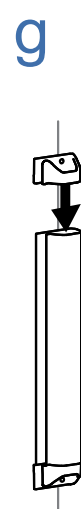
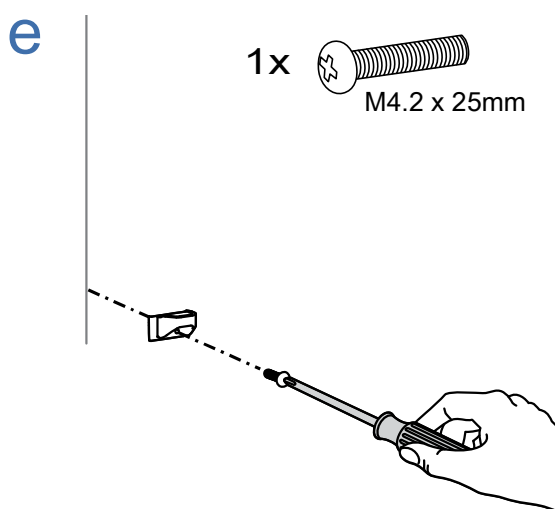
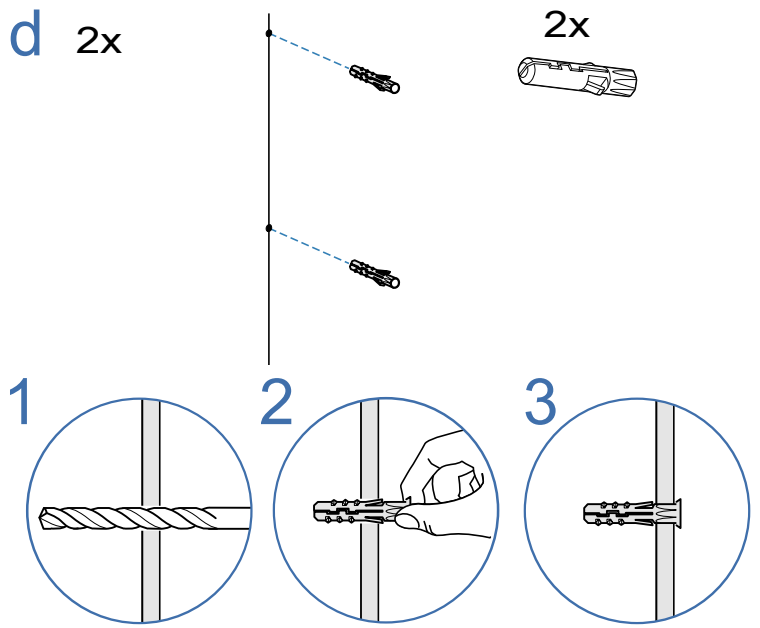
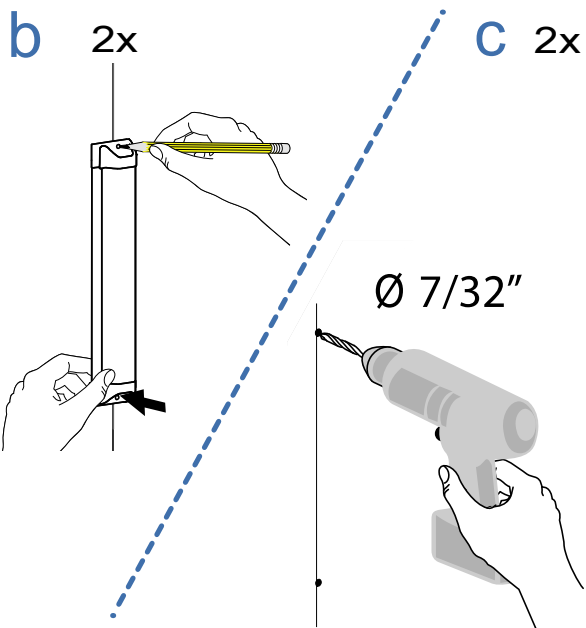
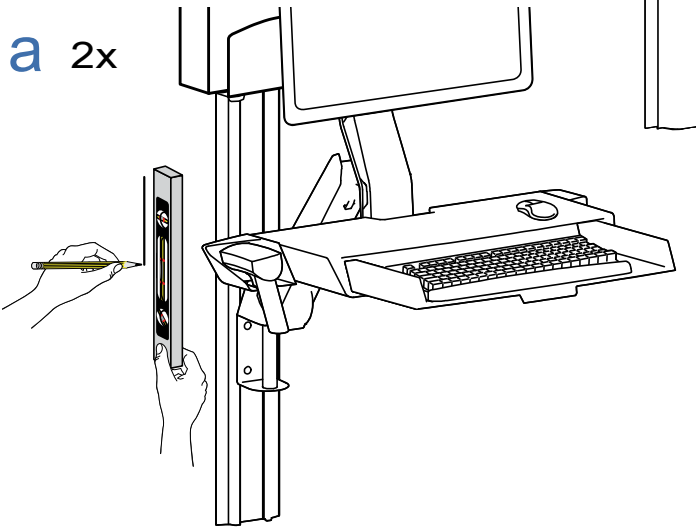


17

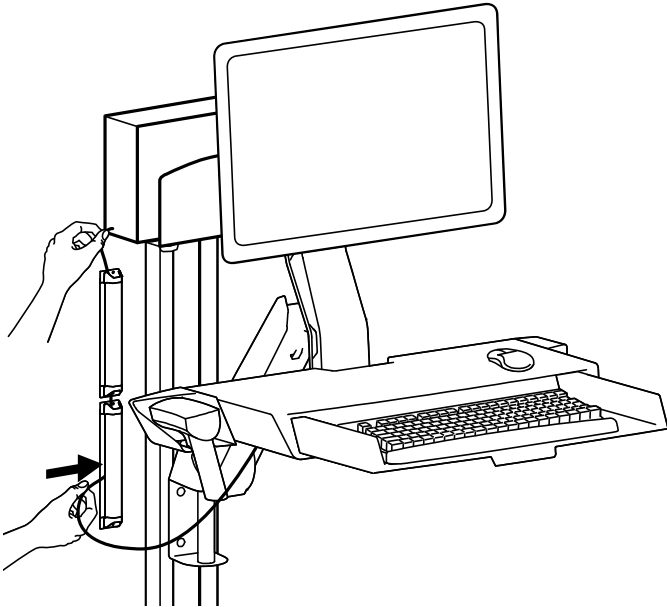
- 4x  M4.2 x 25mm
- 2x 
- 2x 
- 2x 
- 4x 
-  $\text{Ø } 7/32''$ (5.5 mm)
.21875



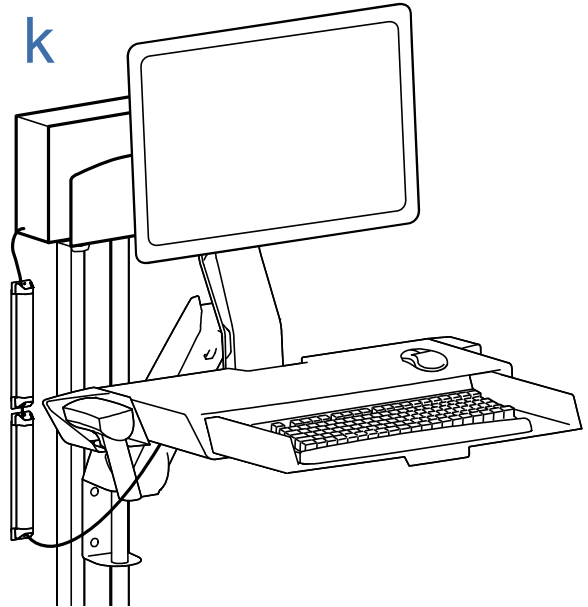
CAUTION: Make sure there is enough clearance between back of mounted component and cable channel. Failure to allow clearance space may result in personal injury and equipment damage.



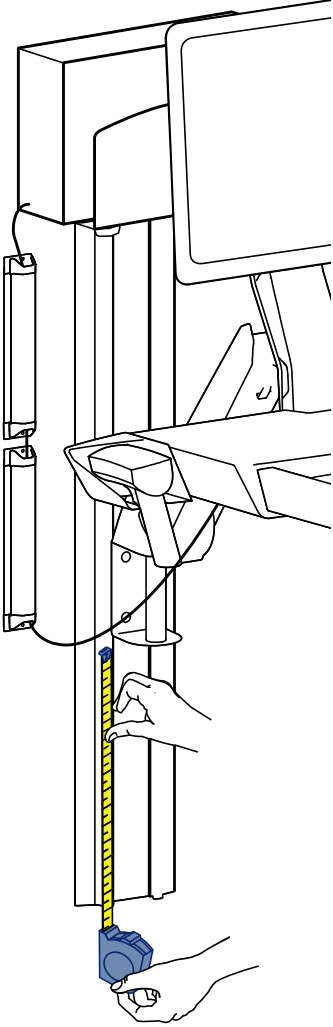
i



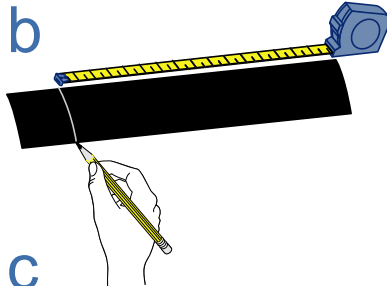
k



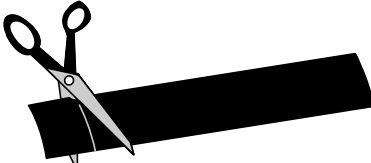
18 a



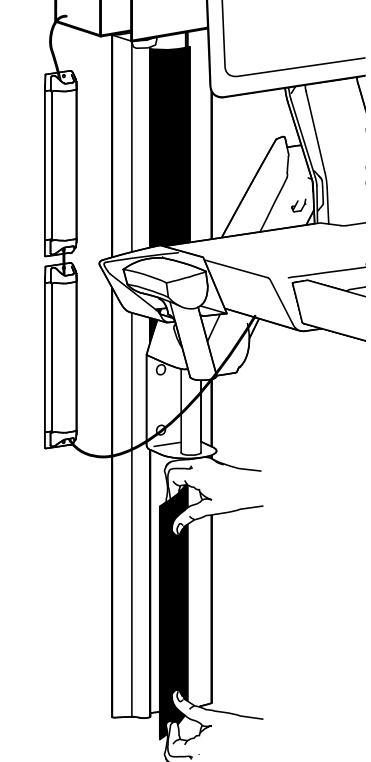
b



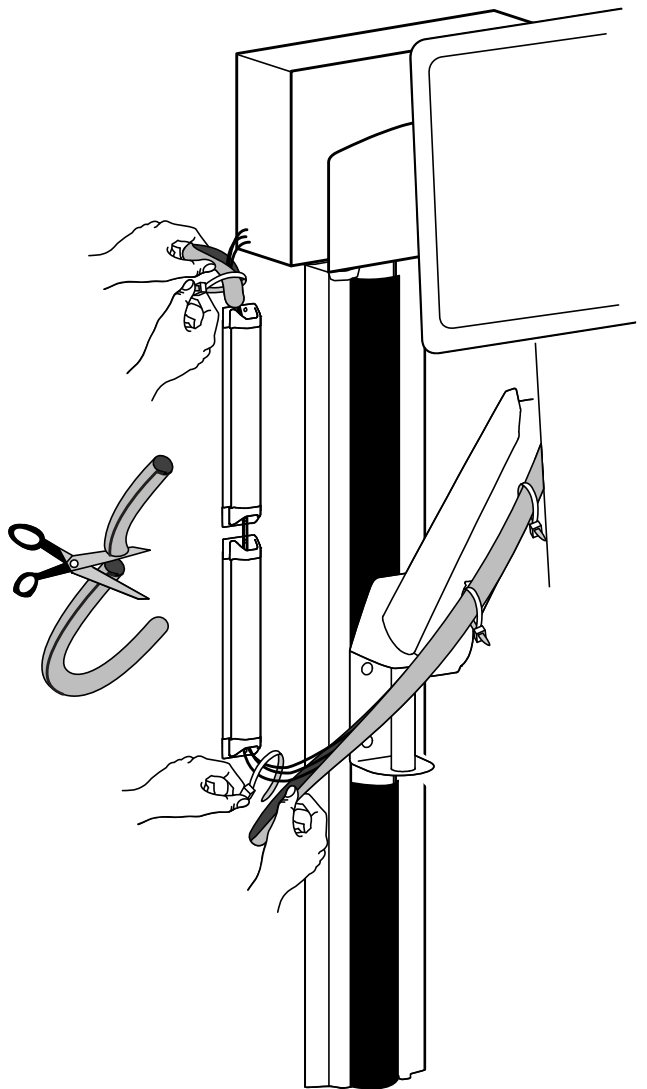
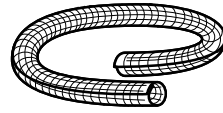
c



d

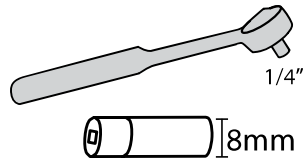
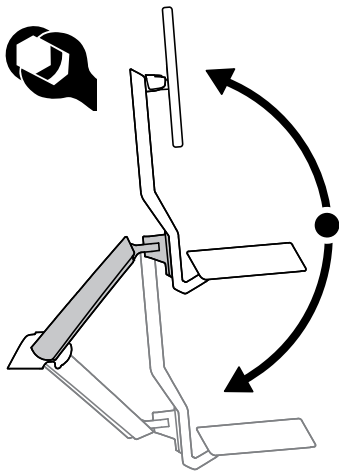


19



20 Adjustment Step

Important! You will need to adjust this product after installation is complete. Make sure all your equipment is properly installed on the product before attempting adjustments. This product should move smoothly and easily through the full range of motion and stay where you set it. If movements are too easy or difficult or if product does not stay in desired positions, follow the adjustment instructions to create smooth and easy movements. Depending on your product and the adjustment, it may take many turns to notice a difference. Any time equipment is added or removed from this product, resulting in a change in the weight of the mounted load, you should repeat these adjustment steps to ensure safe and optimum operation.



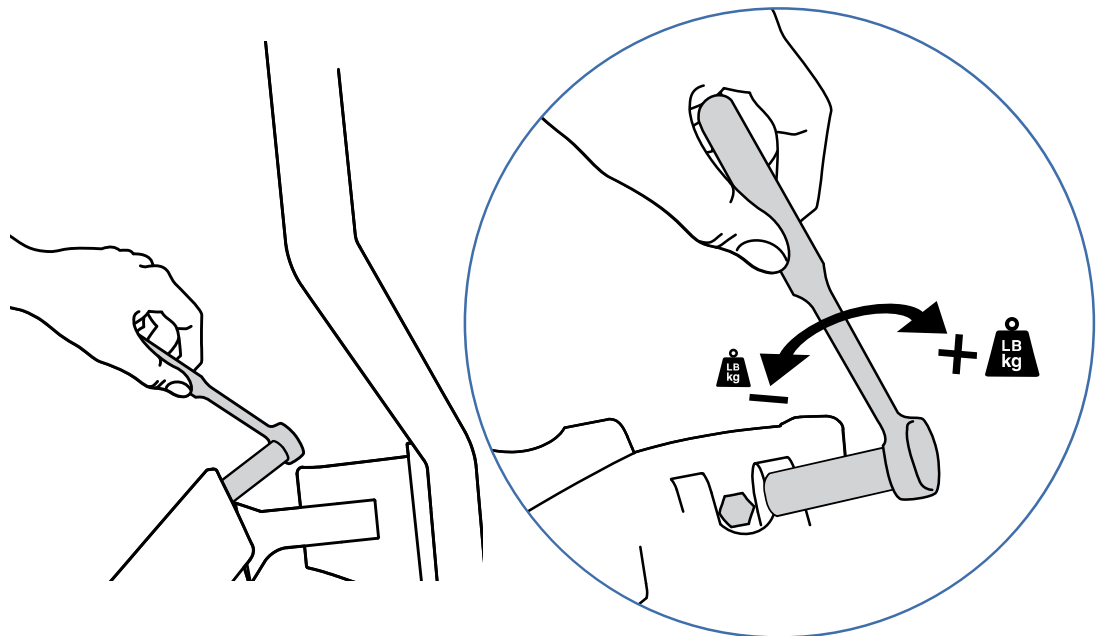
Increase Lift Strength

If the mounted weight is too heavy or this product does not stay up when raised, then you'll need to increase Lift Strength:



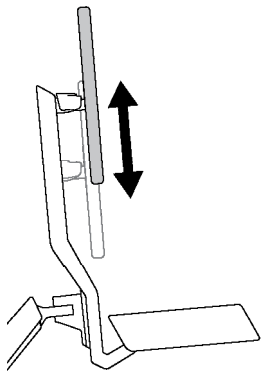
Decrease Lift Strength

If the mounted weight is too light or this product does not stay down when lowered, then you'll need to decrease Lift Strength:





Lift – Up and down



11 mm



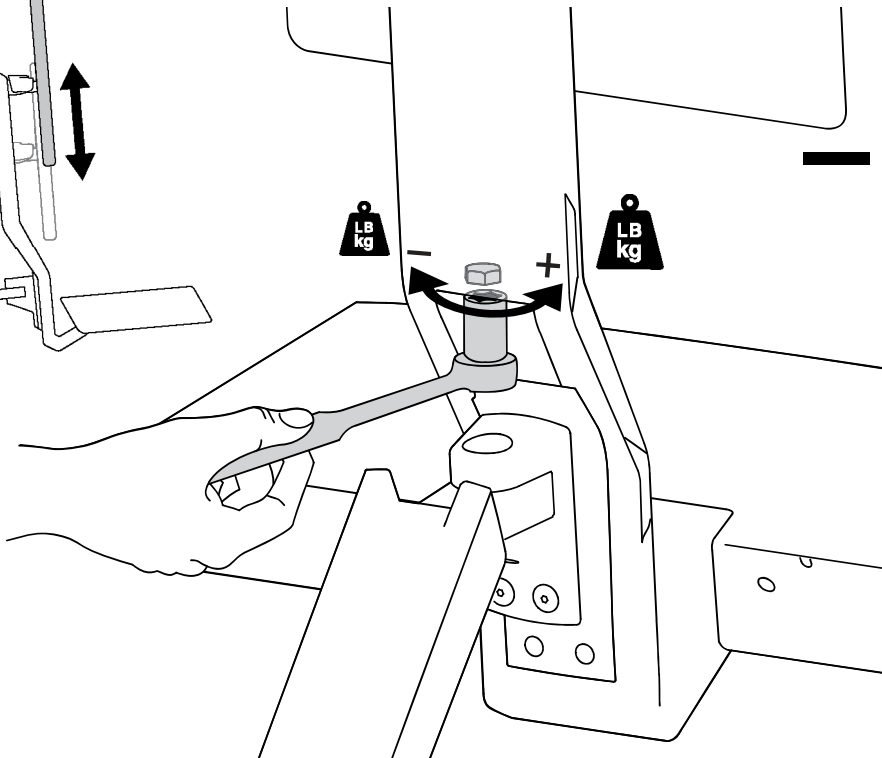
Increase Lift Strength

If the mounted weight is too heavy or this product does not stay up when raised, then you'll need to increase Lift Strength:

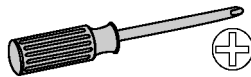
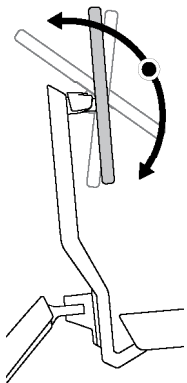


Decrease Lift Strength

If the mounted weight is too light or this product does not stay down when lowered, then you'll need to decrease Lift Strength:



Tilt – Forward and Backward



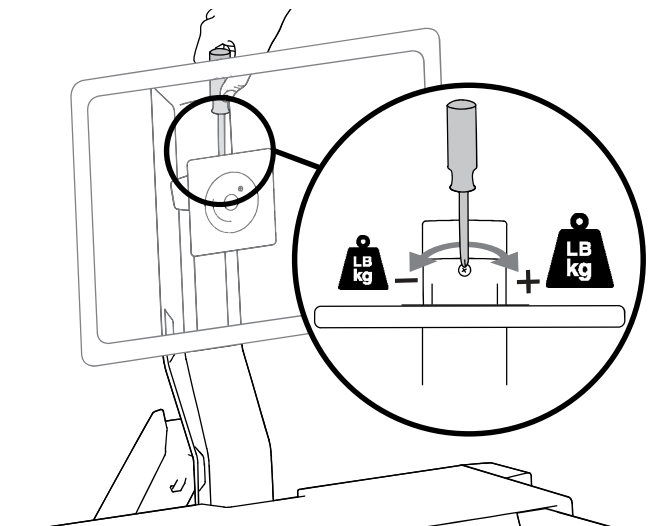
Increase Lift Strength

If the mounted weight is too heavy or this product does not stay up when raised, then you'll need to increase Lift Strength:

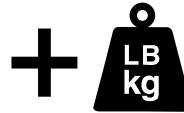
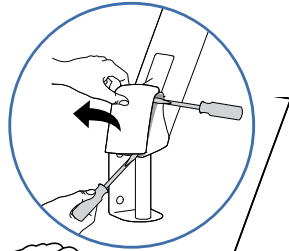
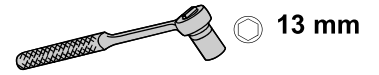
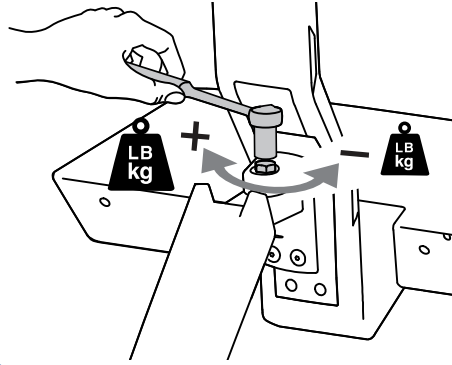
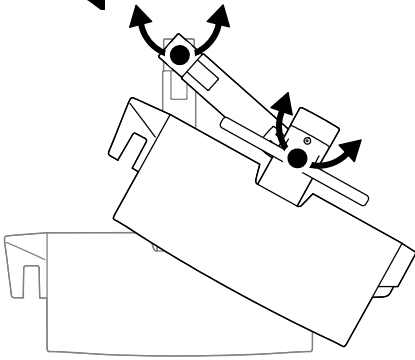


Decrease Lift Strength

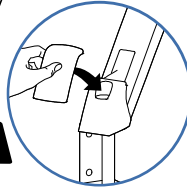
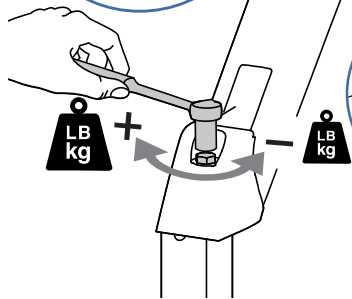
If the mounted weight is too light or this product does not stay down when lowered, then you'll need to decrease Lift Strength:



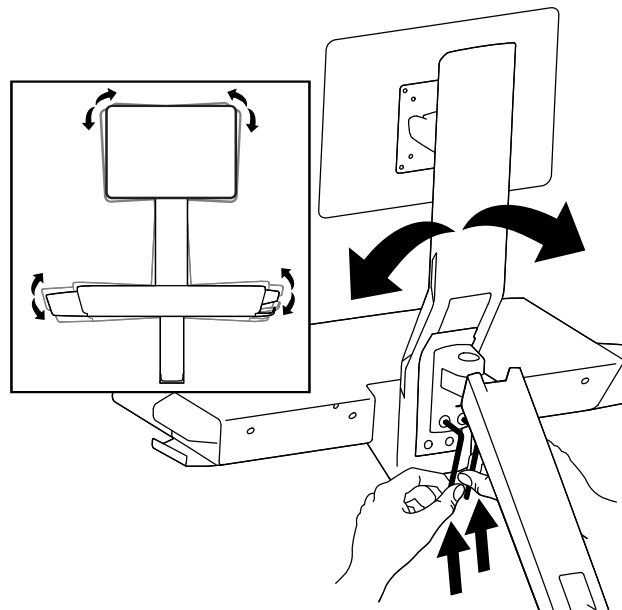
Arm Swing – Side-to-side

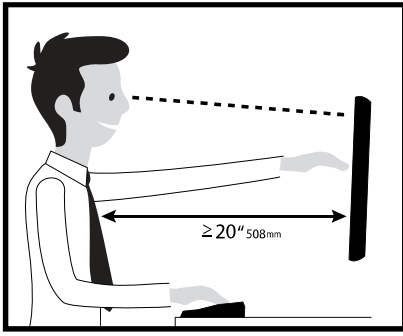


Increase Friction
If this product moves too easily, then you'll need to increase friction:



Decrease Friction
If this product is too difficult to move, then you'll need to decrease friction:





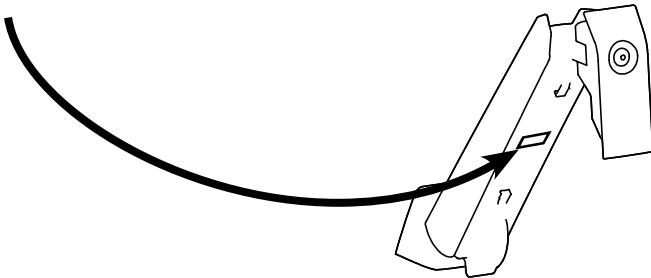
Learn more about ergonomic computer use at: www.ergotron.com/ergonomics

For Warranty visit: www.ergotron.com/warranty

For Service visit: www.ergotron.com

For local customer care phone numbers visit: <http://contact.ergotron.com>

NOTE: When contacting customer service, reference the serial number.



ergotron®

www.ergotron.com | USA: 1-800-888-8458 | Europe: +31 (0)33-45 45 600 | China: 400-120-3051 | Japan: japansupport@ergotron.com

© 2014 Ergotron, Inc. All rights reserved.

While Ergotron, Inc. makes every effort to provide accurate and complete information on the installation and use of its products, it will not be held liable for any editorial errors or omissions (including those made in the process of translation from English to another language), or for incidental, special or consequential damages of any nature resulting from furnishing this instruction and performance of equipment in connection with this instruction. Ergotron, Inc. reserves the right to make changes in the product design and/or product documentation without notification to its users. For the most current product information, or to know if this document is available in languages other than those herein, please contact Ergotron. No part of this publication may be reproduced, stored in a retrieval system, or transmitted in any form or by any means, electronic, mechanical, photocopying, recording or otherwise without the prior written consent of Ergotron, Inc., 1181 Trapp Road, Eagan, Minnesota, 55121, USA Patents Pending and Patented U.S. & Foreign. Ergotron is a registered trademark of Ergotron, Inc.